



Raspberry Pi 4B CASE

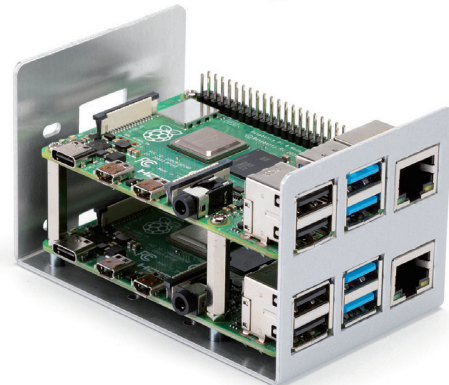
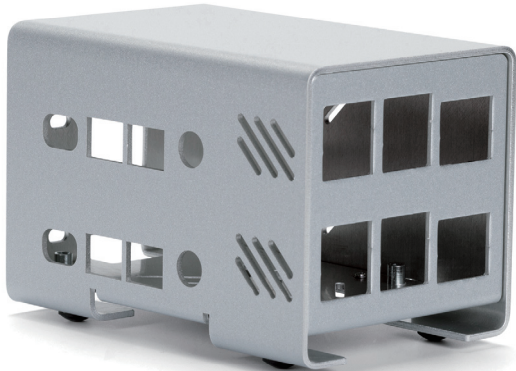
**Wall mounting flanged model and
DIN-rail compatible model are available now!**



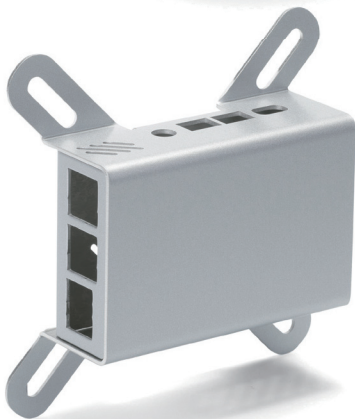
**CASE BOX RACK & CUSTOM
TAKACHI ELECTRONICS ENCLOSURE CO., LTD.**



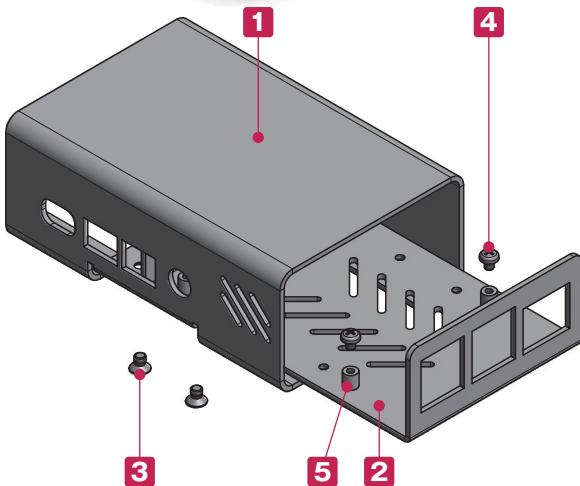
Conductive



Two Raspberry Pi 4B boards can be installed into the RPI-4B-2.



The wall mount screw pitch (75 x 75mm / 100 x 100mm) of RPI-4B-1F is compatible with VESA, and it can be installed on the back side of PC displays, etc.



- Exclusively for use with Raspberry Pi 4B.
- All aluminium, polished and elegant metallic silver finish.
- 3 models are available: Normal, Double-decker, and Flanged.
- Electrically conductive internal surface.
- Raspberry Pi Board is excluded.

Included screws

M3-4 Flat-head x 4 pcs (for case)

M2.5-3 Pan-head x 4 pcs (for board)

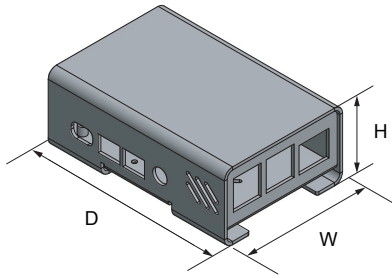
Components

No.	Part name	Pcs	Material	Color / Finish
1	Cover	1	Aluminium A1100P t=1.5	Metallic silver / Painted : Conductive inside
2	Base	1	Aluminium A1100P t=1.5	Metallic silver / Painted : Conductive inside
3	Screw (M3-4 Flat-head)	4	Steel	Trivalent chromate
4	Screw for Board (M2.5-3)	4	Brass	Nickel plated
5	Clinching standoff	4	Steel	Trivalent chromate

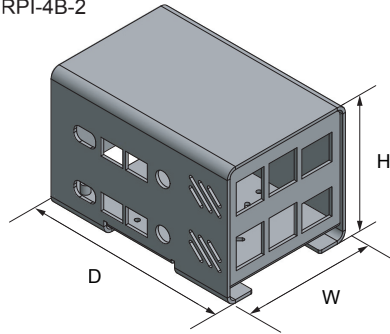
RPI dimensions

■ Drawings below are reference examples only.
DXF/DWG/PDF drawings available on our website.

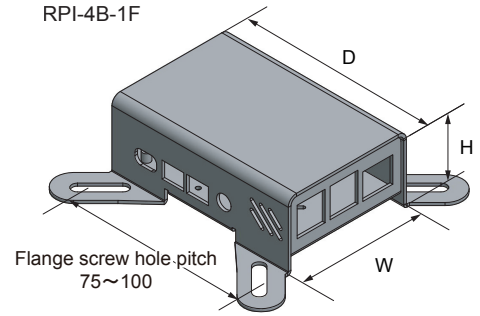
RPI-4B-1



RPI-4B-2



RPI-4B-1F



Product no. / Dimensions

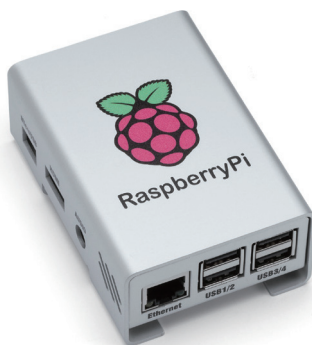
Product no.	Dimensions			Included accessory	Weight (g)
	W	H	D		
RPI-4B-1	65	37	97	Rubber feet	91.5
RPI-4B-2	65	65	97	Rubber feet Hexagonal spacer	138.8
RPI-4B-1F	65	37	97	—	93.8

■ Rubber feet . . . Synthetic rubber / Black Hexagonal spacer . . . Brass / Nickel plated

Raspberry Pi Case customization

Unique Logo (Inkjet print, Engraving)

Inkjet printing services are available from just 1 piece, with a low initial cost.
Engraving is also available.



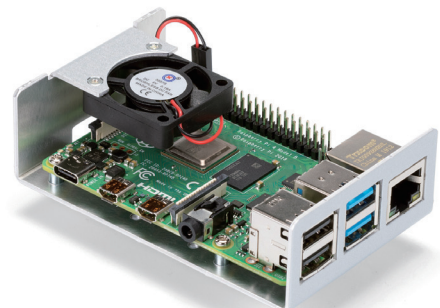
Size adjustment

Size can be customized to fit your PCB.



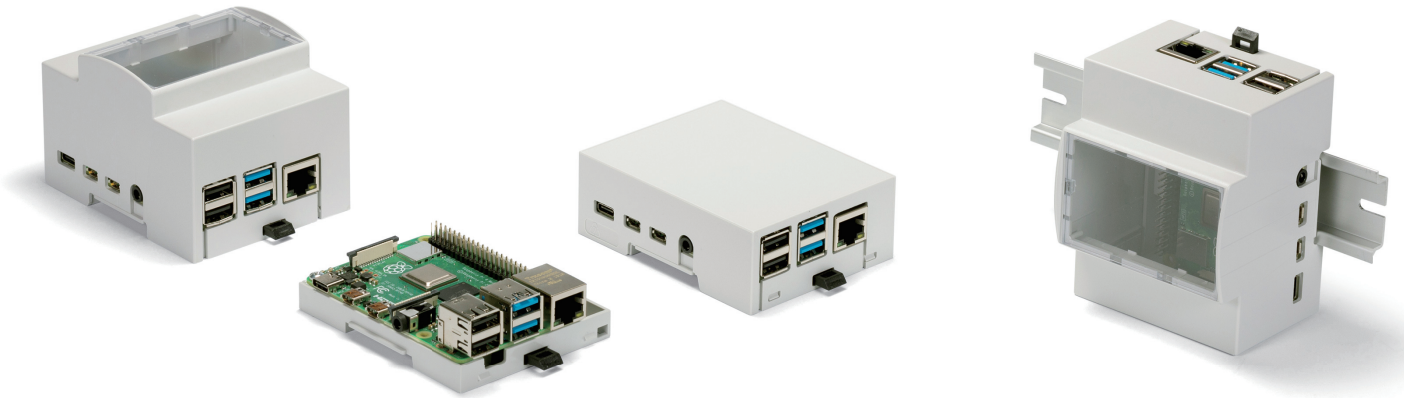
Heat dissipation

Fan installation is possible with base shape customization.

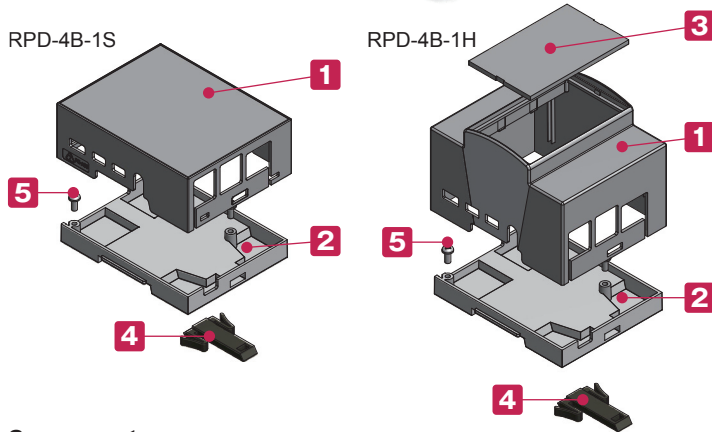


Color Anodizing · Painting





RPD-4B-1S



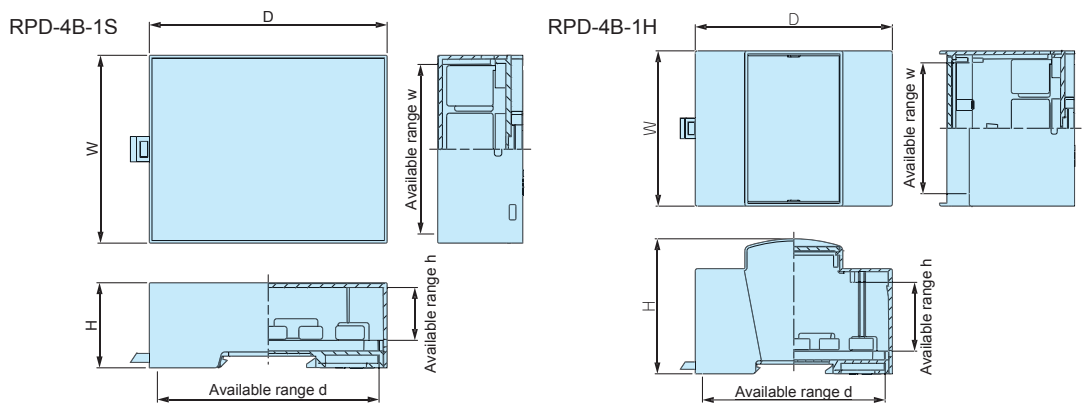
- Exclusively for use with Raspberry Pi 4B.
- Exclusively for use with 35mm DIN rail.
Able to assemble easily with a flathead screwdriver;
no screws required.
*Caution : Material may easily break when assembling.
- Raspberry Pi Board is excluded.

Components

No.	Part name	Pcs	Material	Color / Finish
1	Body	1	PC + ABS	Gray
2	Base	1	PC + ABS	Gray
3	Front panel (RPD-4B-1H only)	1	Polycarbonate t = 2.0	Transparent
4	Hook	1	PPO	Black
5	Screw for Board (M3-6)	2	Stainless steel	Unfinished

RPD dimensions

■ Drawings below are reference examples only.
DXF/DWG/PDF drawings available on our website.



Product no. / Dimensions

Product no.	Dimensions						Weight (g)
	W	H	D	w	h	d	
RPD-4B-1S	71.1	32.2	90	64.1	20.1	83.9	46.8
RPD-4B-1H	71.3	62	90.5	60.3	31.7	83.9	68.1

TAKACHI ELECTRONICS ENCLOSURE CO., LTD.

3-21-16 Higashi-ryoke,
Kawaguchi, Saitama 332-0003, JAPAN
Tel. +81-48-222-5409

www.takachi-enclosure.com
sales@takachi-el.co.jp

● All items listed in this catalogue are compliant with EU RoHS 10 standard.