

MULTI-FUNCTION EXTRUDED ALUMINIUM CASE

EXP·EXPF·EXPE·EXEF·EXW·EXWF series

The following series, by utilizing similar extrusion frames, are available in 6 different types, such as having IP65, or EMC shielded functions, among others.
67 different sizes are available for each version.

CORNER GUARD

EXP series Page 135 ~ 136



FLANGED

EXPF series Page 141 ~ 142



IP65 CORNER GUARD

EXW series Page 139 ~ 140



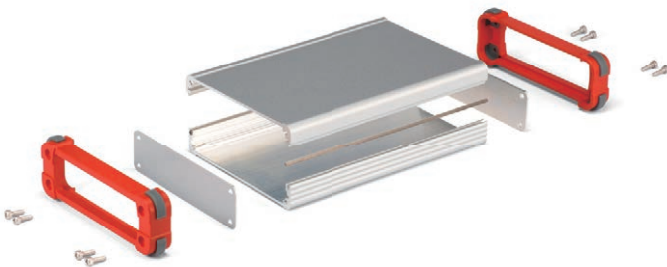
IP65 FLANGED

EXWF series Page 145 ~ 146



EMC CORNER GUARD

EXPE series Page 137 ~ 138



EMC FLANGED

EXEF series Page 143 ~ 144



Custom length available in 1mm intervals.



16 COLOR COMBINATIONS

EXP series is available in 2 different body frame and 8 different exterior frame colors for a total of 16 different color types.



APPLICATION EXAMPLE

MEASURING INSTRUMENT



Accessories (Optional parts)
Tilt leg TLW series
See page 154

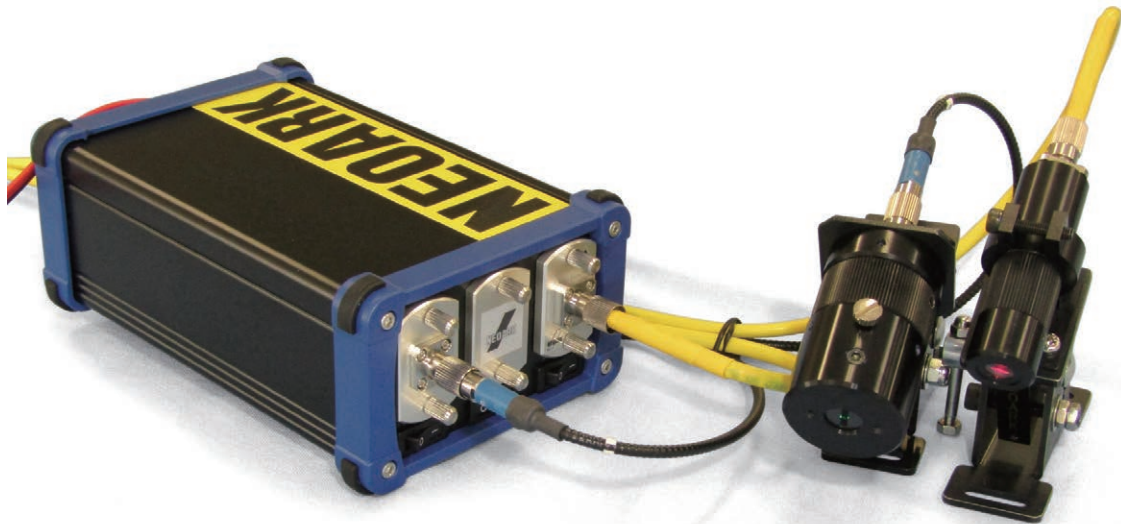
NETWORK / COMMUNICATION BOX



CONTROLLER



FIBER LASER PROJECTOR Product by NEOARK (Japan)



IMPULSE GENERATOR Product by Digital Signal Technology (Japan)



PERISTALTIC DC PUMP

Product by Technic (USA)



PHOTO-FLASH SEQUENCER

Product by ScanBox (France)



※Photo is IP65 waterproof EXW mode.
See page 139 ~ 140 for EXW series.

DESKTOP LOAD CELL AMPLIFIER Product by IMADA (Japan)



WIDE RANGE SPEED MEASUREMENT SYSTEM Product by ACT Electronics (Japan)



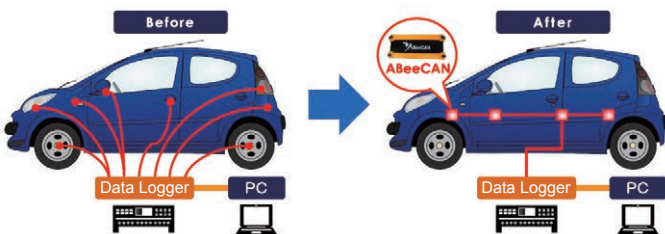
A Bee CAN - ANALOG CAN CONVERTER Product by PERITEC (Japan)



※Above photo is custom length EXP series.

APPLICATION EXAMPLE
Testing system for vehicle air conditioning.

Converter for analog signal data (temperature, voltage and humidity) can be convert to CAN data and transmitted to CAN bus. Wiring quantity and cost can be saved by converting to CAN format for easy data collection through CAN data logger.



EXP SERIES

ALUMINIUM PANEL CASE with CORNER GUARD



- Corner guards are designed to be both aesthetically pleasing, and impact resistant.
- Available in 67 different sizes and 16 different color combinations.
- Custom length is available.

Components

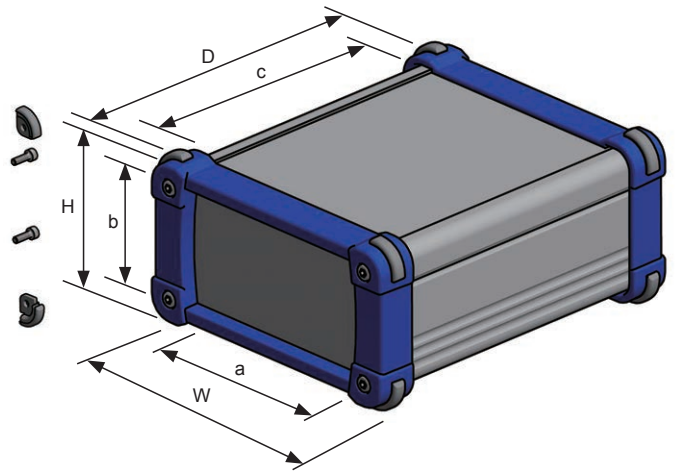
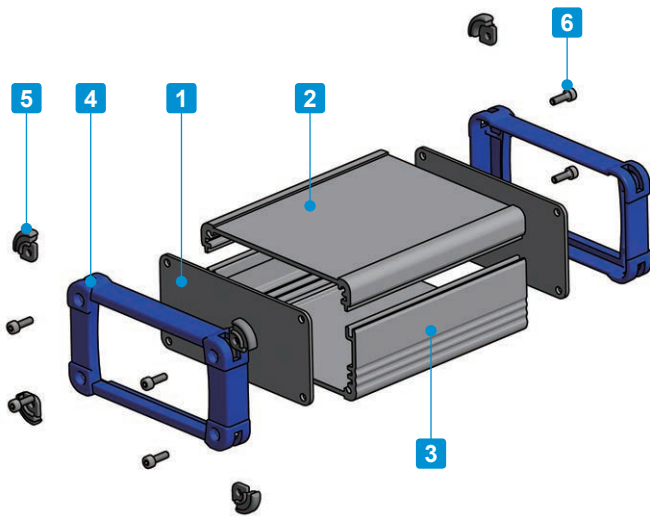
No.	Part name	Pcs	Material	Color / Finish
1	Panel	2	Aluminium A1100P	Silver • Black / Anodized
2	Top cover	1	Extruded aluminium A6063S-T5	Silver • Black / Anodized
3	Bottom cover	1	Extruded aluminium A6063S-T5	Silver • Black / Anodized
4	Exterior frame	2	PC+ABS UL94V-0	Black • Gray / Unpainted Indigo • Navy • Yellow • Orange • Red / Painted
5	Corner guard	8	Silicone	Black • Dark gray
6	Screw	8	Stainless steel	Unfinished

■ See page 149 ~ 152 for Top / Bottom cover dimensions.

Color Type

Code	S B Silver / Black	S G Silver / Gray	S I Silver / Indigo	S N Silver / Navy
Color				
Code	S L Silver / Lime	S Y Silver / Yellow	S O Silver / Orange	S R Silver / Red
Color				
Code	B B Black / Black	B G Black / Gray	B I Black / Indigo	B N Black / Navy
Color				
Code	B L Black / Lime	B Y Black / Yellow	B O Black / Orange	B R Black / Red
Color				

■ Drawings below are reference examples only.
DXF/DWG/PDF drawings available on our website.



Included screws
 EXP 7-□, 9-□ models : M2.5-8 x 8 pcs
 EXP12-□, 15-□ models : M3-10 x 8 pcs
 EXP20-□ models : M4-12 x 8 pcs
 EXP24-□ models : M5-12 x 8 pcs
 ※Hexagonal wrench included.

Product no. / Dimensions

■ Please suffix color code at the end of the product number.

Product no.	Dimensions (External)			Dimensions (Internal)		
	W	H	D	a	b	c
EXP 7- 3- 6□□	69	34	60	47	19.6	46
EXP 7- 3- 9□□	69	34	87	47	19.6	73
EXP 7- 3-11□□	69	34	110	47	19.6	96
EXP 7- 4- 6□□	69	44	60	47	29.6	46
EXP 7- 4- 9□□	69	44	87	47	29.6	73
EXP 7- 4-11□□	69	44	110	47	29.6	96
EXP 7- 6- 6□□	69	59	60	47	44.6	46
EXP 7- 6- 9□□	69	59	87	47	44.6	73
EXP 7- 6-11□□	69	59	110	47	44.6	96
EXP 9- 4- 7□□	89	39	70	67	24.6	56
EXP 9- 4-10□□	89	39	100	67	24.6	86
EXP 9- 4-13□□	89	39	130	67	24.6	116
EXP 9- 5- 7□□	89	49	70	67	34.6	56
EXP 9- 5-10□□	89	49	100	67	34.6	86
EXP 9- 5-13□□	89	49	130	67	34.6	116
EXP 9- 6- 7□□	89	64	70	67	49.6	56
EXP 9- 6-10□□	89	64	100	67	49.6	86
EXP 9- 6-13□□	89	64	130	67	49.6	116
EXP12- 4- 9□□	116	41	90	89	24	74
EXP12- 4-13□□	116	41	130	89	24	114
EXP12- 4-18□□	116	41	176	89	24	160
EXP12- 6- 9□□	116	56	90	89	39	74
EXP12- 6-13□□	116	56	130	89	39	114
EXP12- 6-18□□	116	56	176	89	39	160
EXP12- 7- 9□□	116	71	90	89	54	74
EXP12- 7-13□□	116	71	130	89	54	114
EXP12- 7-18□□	116	71	176	89	54	160
EXP15- 5-11□□	151	46	110	107.4	29	93
EXP15- 5-15□□	151	46	150	107.4	29	133
EXP15- 5-20□□	151	46	200	107.4	29	183
EXP15- 6-11□□	151	61	110	107.4	44	93
EXP15- 6-15□□	151	61	150	107.4	44	133
EXP15- 6-20□□	151	61	200	107.4	44	183
EXP15- 8-11□□	151	81	110	107.4	64	93
EXP15- 8-15□□	151	81	150	107.4	64	133
EXP15- 8-20□□	151	81	200	107.4	64	183
EXP15-10-11□□	151	101	110	107.4	84	93
EXP15-10-15□□	151	101	150	107.4	84	133
EXP15-10-20□□	151	101	200	107.4	84	183

Product no.	Dimensions (External)			Dimensions (Internal)		
	W	H	D	a	b	c
NEW EXP20- 6-14□□	199	56	140	132	35	120
NEW EXP20- 6-19□□	199	56	192	132	35	172
NEW EXP20- 6-25□□	199	56	245	132	35	225
NEW EXP20- 6-30□□	199	56	300	132	35	280
NEW EXP20- 7-14□□	199	74	140	132	53	120
NEW EXP20- 7-19□□	199	74	192	132	53	172
NEW EXP20- 7-25□□	199	74	245	132	53	225
NEW EXP20- 7-30□□	199	74	300	132	53	280
NEW EXP20- 9-14□□	199	94	140	132	73	120
NEW EXP20- 9-19□□	199	94	192	132	73	172
NEW EXP20- 9-25□□	199	94	245	132	73	225
NEW EXP20- 9-30□□	199	94	300	132	73	280
NEW EXP20-12-14□□	199	119	140	132	98	120
NEW EXP20-12-19□□	199	119	192	132	98	172
NEW EXP20-12-25□□	199	119	245	132	98	225
NEW EXP20-12-30□□	199	119	300	132	98	280
NEW EXP24- 6-17□□	244	64	170	177	43	147
NEW EXP24- 6-23□□	244	64	230	177	43	207
NEW EXP24- 6-29□□	244	64	290	177	43	267
NEW EXP24- 6-35□□	244	64	350	177	43	327
NEW EXP24- 9-17□□	244	89	170	177	68	147
NEW EXP24- 9-23□□	244	89	230	177	68	207
NEW EXP24- 9-29□□	244	89	290	177	68	267
NEW EXP24- 9-35□□	244	89	350	177	68	327
NEW EXP24-11-17□□	244	114	170	177	93	147
NEW EXP24-11-23□□	244	114	230	177	93	207
NEW EXP24-11-29□□	244	114	290	177	93	267
NEW EXP24-11-35□□	244	114	350	177	93	327

Accessories (Optional parts)

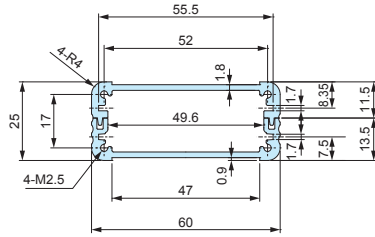


Tilt leg TLW series
See page 154

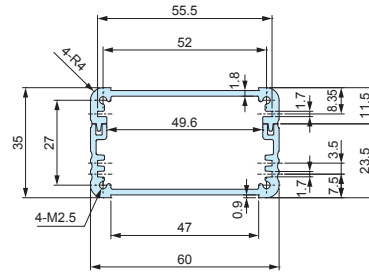
EXP • EXPE • EXW • EXPF • EXEF • EXWF • EX top / bottom covers

■ Drawings below are reference examples only.
DXF/DWG/PDF drawings available on our website.

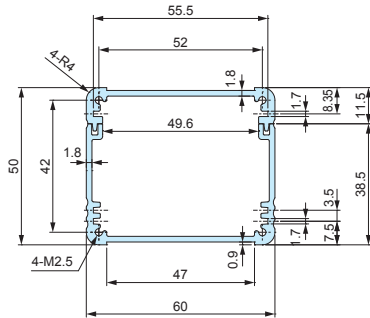
EXP • EXPE • EXW • EXPF • EXEF • EXWF7-4-□
EX6-3-□



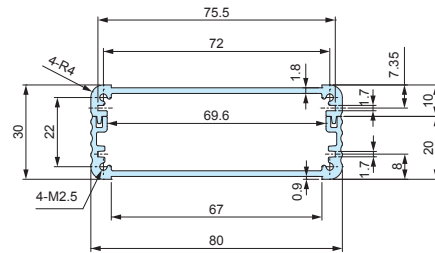
EXP • EXPE • EXW • EXPF • EXEF • EXWF7-4-□
EX6-4-□



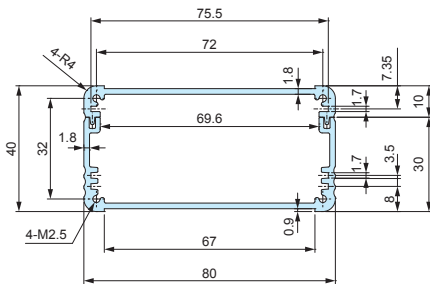
EXP • EXPE • EXW • EXPF • EXEF • EXWF7-6-□
EX6-5-□



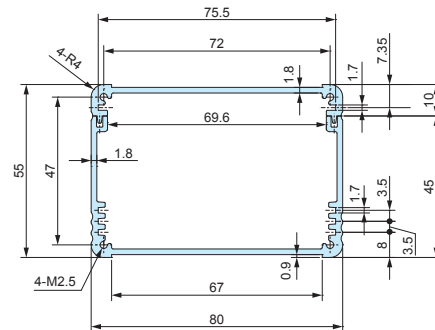
EXP • EXPE • EXW • EXPF • EXEF • EXWF9-4-□
EX8-3-□



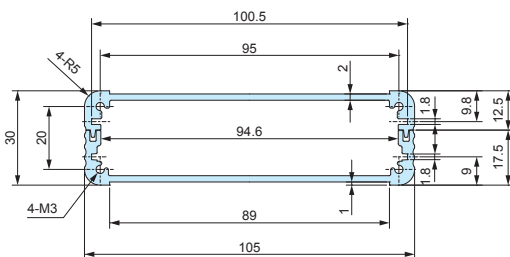
EXP • EXPE • EXW • EXPF • EXEF • EXWF9-5-□
EX8-4-□



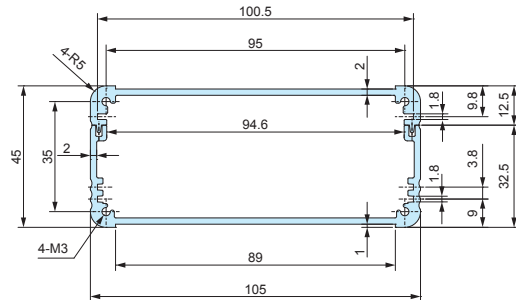
EXP • EXPE • EXW • EXPF • EXEF • EXWF9-6-□
EX8-6-□



EXP • EXPE • EXW12-4-□
EXPF • EXEF • EXWF11-4-□
EX11-3-□



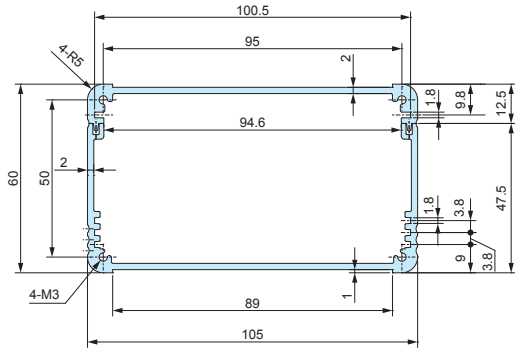
EXP • EXPE • EXW12-6-□
EXPF • EXEF • EXWF11-6-□
EX11-5-□



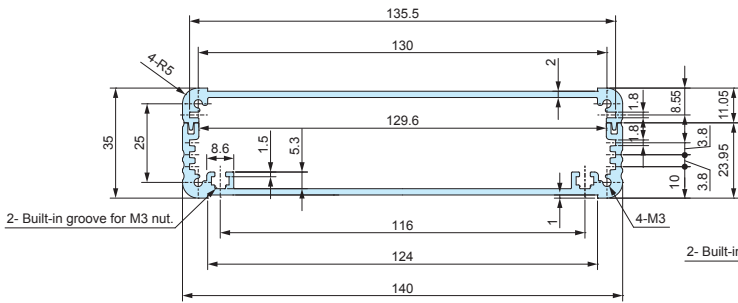
EXP • EXPE • EXW • EXPF • EXEF • EXWF • EX top / bottom covers

■ Drawings below are reference examples only.
DXF/DWG/PDF drawings available on our website.

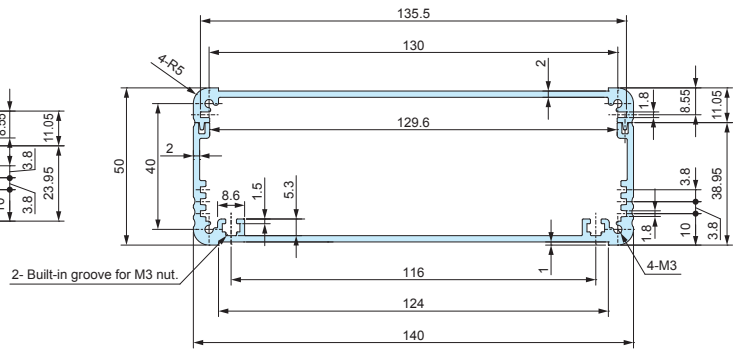
EXP • EXPE • EXW12-7-□
EXPF • EXEF • EXWF11-7-□
EX11-6-□



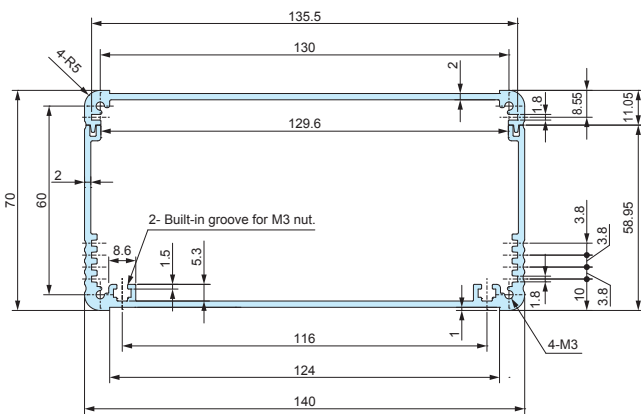
EXP • EXPE • EXW • EXPF • EXEF • EXWF15-5-□
EX14-4-□



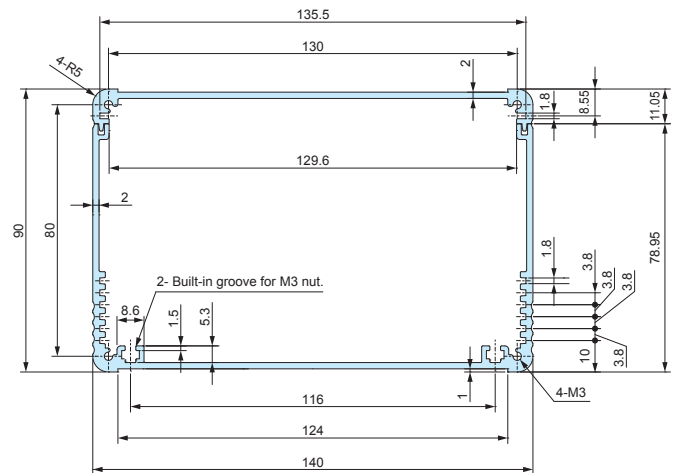
EXP • EXPE • EXW • EXPF • EXEF • EXWF15-6-□
EX14-5-□



EXP • EXPE • EXW • EXPF • EXEF • EXWF15-8-□
EX14-7-□



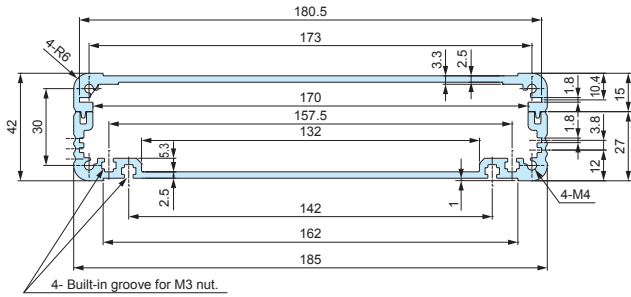
EXP • EXPE • EXW • EXPF • EXEF • EXWF15-10-□
EX14-9-□



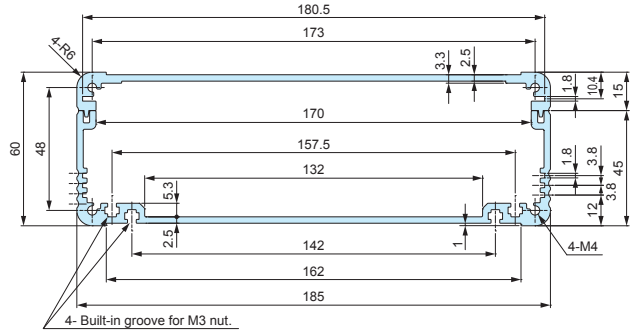
EXP • EXPE • EXPF • EXEF • EXWF • EX top / bottom covers

■ Drawings below are reference examples only.
DXF/DWG/PDF drawings available on our website.

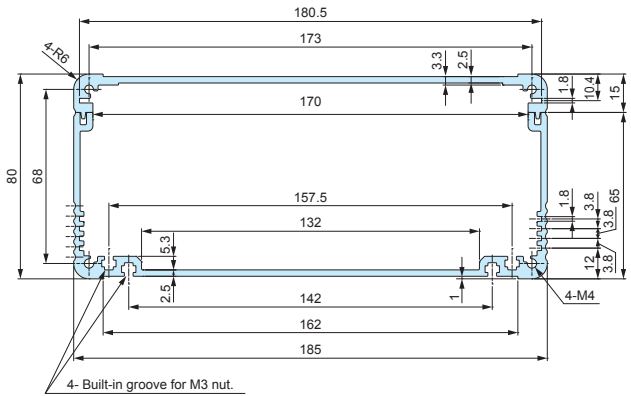
EXP • EXPE • EXPF • EXEF • EXWF20-6-□
EX19-4-□



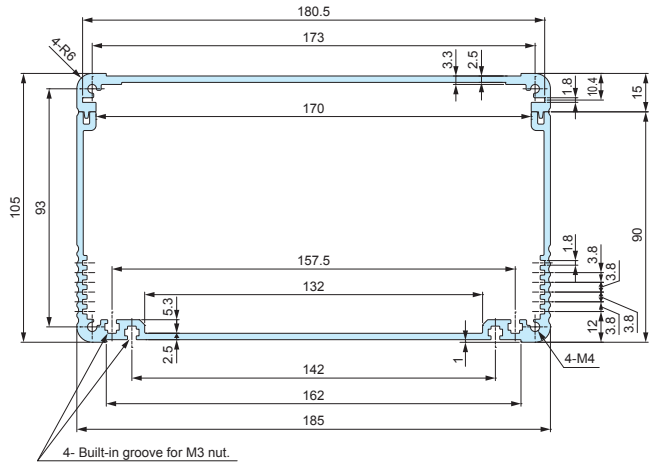
EXP • EXPE20-7-□
EXPF • EXEF • EXWF20-8-□
EX19-6-□



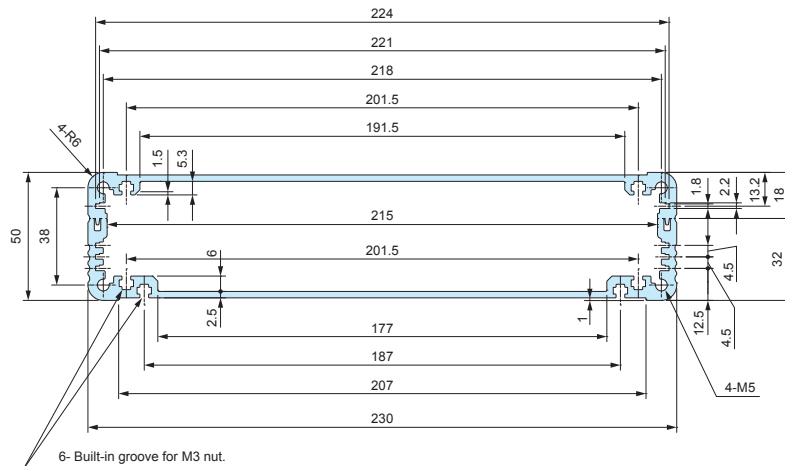
EXP • EXPE20-9-□
EXPF • EXEF • EXWF20-10-□
EX19-8-□



EXP • EXPE • EXPF • EXEF • EXWF20-12-□
EX19-11-□

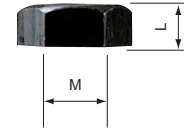
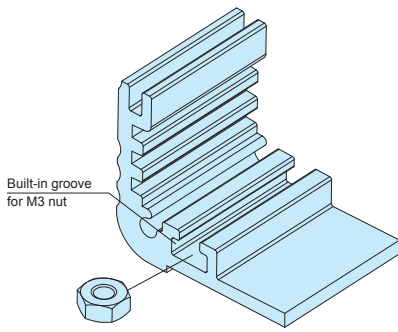


EXP • EXPE24-6-□
EXPF • EXEF • EXWF24-7-□
EX23-5-□



MT-3N

SLIDING NUT for EXP • EXPE • EXW • EXPF • EXEF • EXWF • EX



Product no. / Dimensions

Product no.	M	L	Material	Finish	Pack of
MT-3N	3	2.4	Steel	Black trivalent chromate	50

- Sliding nut can be used on all EXP • EXPE • EXW • EXPF • EXEF • EXWF • EX models with width 140mm or larger bottom covers, as well as with width 230mm top covers.

EXEG SERIES

EMC SHIELDING FABRIC-OVER-FOAM GASKET for EXPE • EXEF



- EMC shielding fabric-over-foam gasket for EXPE • EXEF series.

Suitable Enclosure

Product no.	Suitable enclosure
EXEG-2.5	EXPE7-□ • 9-□ • 12-□ • 15-□ / EXEF7-□ • 9-□ • 11-□ • 15-□
EXEG-3.2	EXPE20-□ • 24-□ / EXEF20-□ • 24-□



Product no. / Dimensions

Product no.	Φ	Material	Color	Sales unit
EXEG-2.5	2.5	Wire mesh gasket • TPE	Metallic gray	500mm x 1 pc
NEW EXEG-3.2	3.2	Wire mesh gasket • TPE	Metallic gray	500mm x 1 pc

Length tolerance = +/- 10%

APPLICATION EXAMPLE EX series

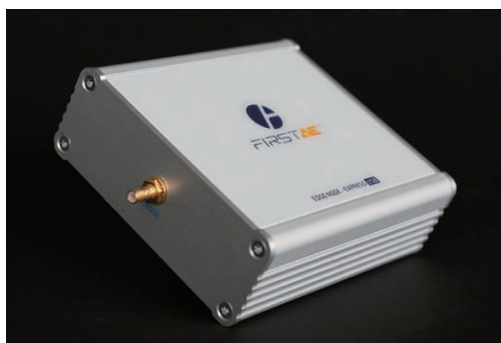
PREMAIN POWER AMPLIFIER

Product by AY-densi (Japan)



USB EDGE NODE

Product by SHINWA (Japan)



TLW SERIES

TILT LEG



APPLICATION EXAMPLE

Technical Data
Max load : 7kg

- New tilt leg with eye catching colors and rounded design.
- Non-slip design with Elastomer (TPE) pad.
- Available in 3 different color patterns.

Components

No.	Part name	Pcs	Material	Color / Finish
1	Front foot	2	PC+ABS UL94V-0, TPE	Black & Black • Navy & Gray • Light gray & Gray
2	Rear foot	2	PC+ABS UL94V-0, TPE	Black & Black • Navy & Gray • Light gray & Gray
-	Washer head screw	4	Steel M3-6	Black trivalent chromate
-	Nut	4	Steel M3	Black trivalent chromate

Product no.

Product no.	Color (plastic)	Color (TPE)
NEW TLW-46BB	Black	Black
NEW TLW-46NG	Navy	Gray
NEW TLW-46LG	Light gray	Gray

- TLW tilt leg can be used in various applications.

