

MULTI-FUNCTION EXTRUDED ALUMINIUM CASE

EXP·EXPF·EXPE·EXEF·EXW·EXWF series

The following series, by utilizing similar extrusion frames, are available in 6 different types, such as having IP65, or EMC shielded functions, among others.
67 different sizes are available for each version.

CORNER GUARD

EXP series Page 135 ~ 136



FLANGED

EXPF series Page 141 ~ 142



IP65 CORNER GUARD

EXW series Page 139 ~ 140



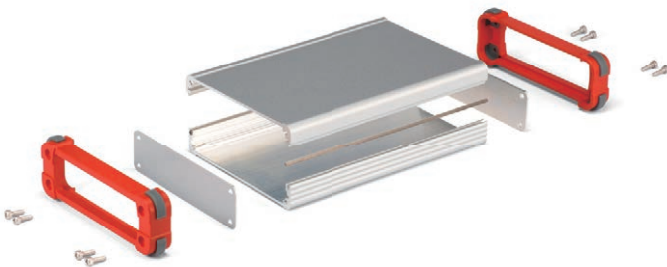
IP65 FLANGED

EXWF series Page 145 ~ 146



EMC CORNER GUARD

EXPE series Page 137 ~ 138



EMC FLANGED

EXEF series Page 143 ~ 144



Custom length available in 1mm intervals.



16 COLOR COMBINATIONS

EXP series is available in 2 different body frame and 8 different exterior frame colors for a total of 16 different color types.



APPLICATION EXAMPLE

MEASURING INSTRUMENT



Accessories (Optional parts)
Tilt leg TLW series
See page 154

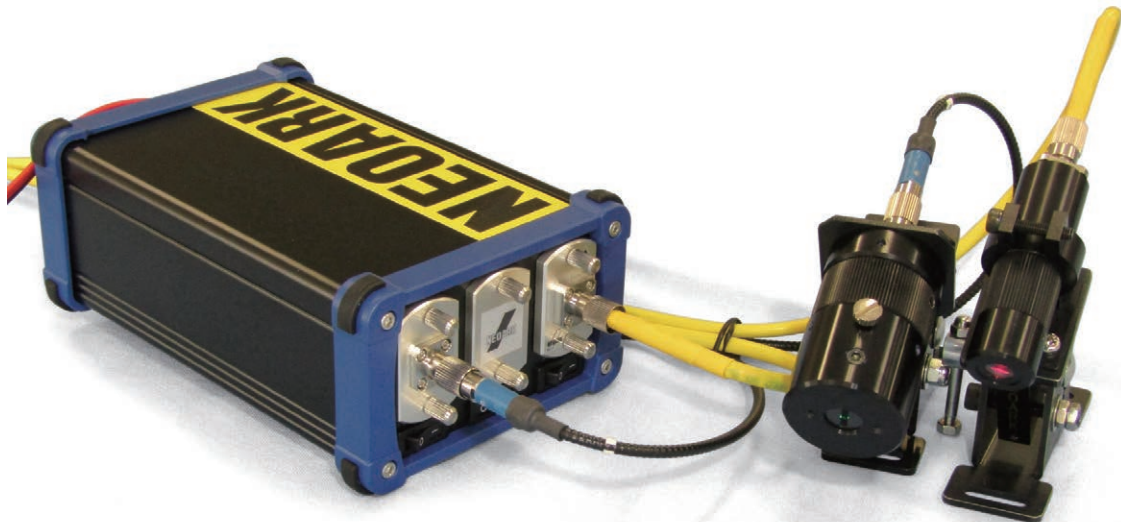
NETWORK / COMMUNICATION BOX



CONTROLLER



FIBER LASER PROJECTOR Product by NEOARK (Japan)



IMPULSE GENERATOR Product by Digital Signal Technology (Japan)



PERISTALTIC DC PUMP

Product by Technic (USA)



PHOTO-FLASH SEQUENCER

Product by ScanBox (France)



※Photo is IP65 waterproof EXW mode.
See page 139 ~ 140 for EXW series.

DESKTOP LOAD CELL AMPLIFIER Product by IMADA (Japan)



WIDE RANGE SPEED MEASUREMENT SYSTEM Product by ACT Electronics (Japan)



A Bee CAN - ANALOG CAN CONVERTER Product by PERITEC (Japan)



※Above photo is custom length EXP series.

APPLICATION EXAMPLE
Testing system for vehicle air conditioning.

Converter for analog signal data (temperature, voltage and humidity) can be convert to CAN data and transmitted to CAN bus. Wiring quantity and cost can be saved by converting to CAN format for easy data collection through CAN data logger.





EMC Shielding Effects



- EMC shielding is achieved by having the unfinished inner sides of the top/bottom covers and panels, as well as the fabric-over-foam gasket in contact with one another.
- Equipped with flanged frame for easy wall mounting.
- Available in 67 different sizes and 3 different color combinations.

Included screws
 EXEF 7-□, 9-□ models : M2.5-8 x 8 pcs
 EXEF11-□, 15-□ models : M3-10 x 8 pcs
 EXEF20-□ models : M4-12 x 8 pcs
 EXEF24-□ models : M5-12 x 8 pcs
 ※Hexagonal wrench included.

Components

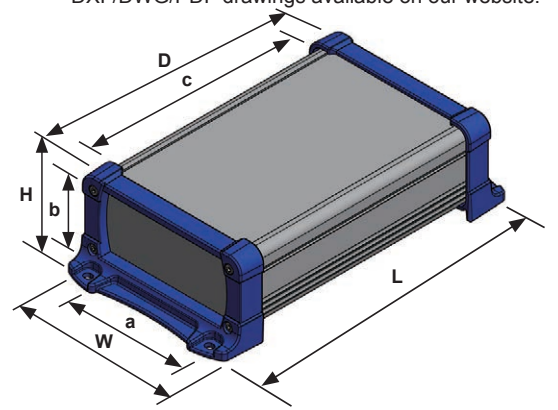
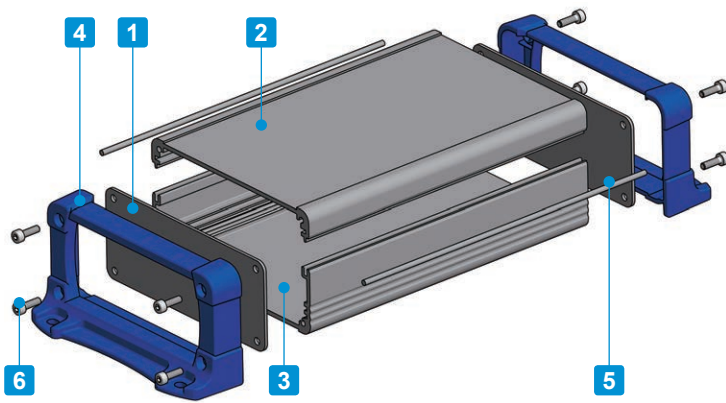
No.	Part name	Pcs	Material	Color / Finish
1	Panel	2	Aluminium A1100P	Silver / Painted (outside) • Unfinished (inside)
2	Top cover	1	Extruded aluminium A6063S-T5	Silver / Painted (outside) • Unfinished (inside)
3	Bottom cover	1	Extruded aluminium A6063S-T5	Silver / Painted (outside) • Unfinished (inside)
4	Flanged frame	2	PC+ABS UL94V-0	Black • Gray / Unpainted Navy / Painted
5	Fabric-over-foam gasket	2	Conductive fabric : TPE	Metallic gray
6	Screw	8	Stainless steel	Unfinished

■ See page 149 ~ 152 for Top / Bottom cover dimensions.

Color Type

Code	S/B Silver / Black	S/G Silver / Gray	S/N Silver / Navy
Color			

■ Drawings below are reference examples only.
DXF/DWG/PDF drawings available on our website.



■ Please suffix color code at the end of the product number.

Product no. / Dimensions

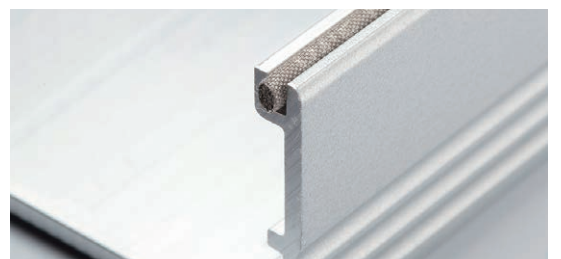
Product no.	Dimensions (External)				Dimensions (Internal)		
	W	H	D	L	a	b	c
NEW EXEF 7- 3- 6□□	66	34	60	84	47	19.6	46
NEW EXEF 7- 3- 9□□	66	34	87	111	47	19.6	73
NEW EXEF 7- 3-11□□	66	34	110	134	47	19.6	96
NEW EXEF 7- 4- 6□□	66	44	60	84	47	29.6	46
NEW EXEF 7- 4- 9□□	66	44	87	111	47	29.6	73
NEW EXEF 7- 4-11□□	66	44	110	134	47	29.6	96
NEW EXEF 7- 6- 6□□	66	59	60	84	47	44.6	46
NEW EXEF 7- 6- 9□□	66	59	87	111	47	44.6	73
NEW EXEF 7- 6-11□□	66	59	110	134	47	44.6	96
NEW EXEF 9- 4- 7□□	86	39	70	95.8	67	24.6	56
NEW EXEF 9- 4-10□□	86	39	100	125.8	67	24.6	86
NEW EXEF 9- 4-13□□	86	39	130	155.8	67	24.6	116
NEW EXEF 9- 5- 7□□	86	49	70	95.8	67	34.6	56
NEW EXEF 9- 5-10□□	86	49	100	125.8	67	34.6	86
NEW EXEF 9- 5-13□□	86	49	130	155.8	67	34.6	116
NEW EXEF 9- 6- 7□□	86	64	70	95.8	67	49.6	56
NEW EXEF 9- 6-10□□	86	64	100	125.8	67	49.6	86
NEW EXEF 9- 6-13□□	86	64	130	155.8	67	49.6	116
NEW EXEF11- 4- 9□□	113	41.5	90	121.8	89	24	74
NEW EXEF11- 4-13□□	113	41.5	130	161.8	89	24	114
NEW EXEF11- 4-18□□	113	41.5	176	207.8	89	24	160
NEW EXEF11- 6- 9□□	113	56.5	90	121.8	89	39	74
NEW EXEF11- 6-13□□	113	56.5	130	161.8	89	39	114
NEW EXEF11- 6-18□□	113	56.5	176	207.8	89	39	160
NEW EXEF11- 7- 9□□	113	71.5	90	121.8	89	54	74
NEW EXEF11- 7-13□□	113	71.5	130	161.8	89	54	114
NEW EXEF11- 7-18□□	113	71.5	176	207.8	89	54	160
NEW EXEF15- 5-11□□	148	47	110	149.2	107.4	29	93
NEW EXEF15- 5-15□□	148	47	150	189.2	107.4	29	133
NEW EXEF15- 5-20□□	148	47	200	239.2	107.4	29	183
NEW EXEF15- 6-11□□	148	62	110	149.2	107.4	44	93
NEW EXEF15- 6-15□□	148	62	150	189.2	107.4	44	133
NEW EXEF15- 6-20□□	148	62	200	239.2	107.4	44	183
NEW EXEF15- 8-11□□	148	82	110	149.2	107.4	64	93
NEW EXEF15- 8-15□□	148	82	150	189.2	107.4	64	133
NEW EXEF15- 8-20□□	148	82	200	239.2	107.4	64	183
NEW EXEF15-10-11□□	148	102	110	149.2	107.4	84	93
NEW EXEF15-10-15□□	148	102	150	189.2	107.4	84	133
NEW EXEF15-10-20□□	148	102	200	239.2	107.4	84	183

Product no.	Dimensions (External)				Dimensions (Internal)		
	W	H	D	L	a	b	c
NEW EXEF20- 6-14□□	195	57	140	188.6	132	35	120
NEW EXEF20- 6-19□□	195	57	192	240.6	132	35	172
NEW EXEF20- 6-25□□	195	57	245	293.6	132	35	225
NEW EXEF20- 6-30□□	195	57	300	348.6	132	35	280
NEW EXEF20- 8-14□□	195	75	140	188.6	132	53	120
NEW EXEF20- 8-19□□	195	75	192	240.6	132	53	172
NEW EXEF20- 8-25□□	195	75	245	293.6	132	53	225
NEW EXEF20- 8-30□□	195	75	300	348.6	132	53	280
NEW EXEF20-10-14□□	195	95	140	188.6	132	73	120
NEW EXEF20-10-19□□	195	95	192	240.6	132	73	172
NEW EXEF20-10-25□□	195	95	245	293.6	132	73	225
NEW EXEF20-10-30□□	195	95	300	348.6	132	73	280
NEW EXEF20-12-14□□	195	120	140	188.6	132	98	120
NEW EXEF20-12-19□□	195	120	192	240.6	132	98	172
NEW EXEF20-12-25□□	195	120	245	293.6	132	98	225
NEW EXEF20-12-30□□	195	120	300	348.6	132	98	280
NEW EXEF24- 7-17□□	240	65	170	218.6	177	43	147
NEW EXEF24- 7-23□□	240	65	230	278.6	177	43	207
NEW EXEF24- 7-29□□	240	65	290	338.6	177	43	267
NEW EXEF24- 7-35□□	240	65	350	398.6	177	43	327
NEW EXEF24- 9-17□□	240	90	170	218.6	177	68	147
NEW EXEF24- 9-23□□	240	90	230	278.6	177	68	207
NEW EXEF24- 9-29□□	240	90	290	338.6	177	68	267
NEW EXEF24- 9-35□□	240	90	350	398.6	177	68	327
NEW EXEF24-12-17□□	240	115	170	218.6	177	93	147
NEW EXEF24-12-23□□	240	115	230	278.6	177	93	207
NEW EXEF24-12-29□□	240	115	290	338.6	177	93	267
NEW EXEF24-12-35□□	240	115	350	398.6	177	93	327

How to install a shield gasket



■ Insert fabric-over-foam gasket into the joint-grooves on the bottom cover.



■ Ensure that a small portion of the fabric-over-foam gasket protrudes out in order to maintain a connection with the end panel.



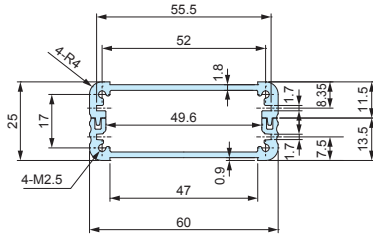
Following models are suitable for placement of a Mini-ITX board.

- EXEF20-8-19□□
- EXEF20-10-19□□
- EXEF20-12-19□□

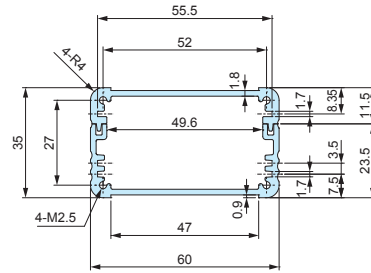
EXP • EXPE • EXW • EXPF • EXEF • EXWF • EX top / bottom covers

■ Drawings below are reference examples only.
DXF/DWG/PDF drawings available on our website.

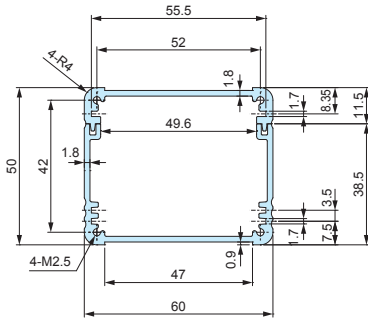
EXP • EXPE • EXW • EXPF • EXEF • EXWF7-4-□
EX6-3-□



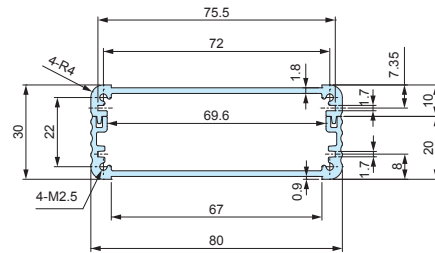
EXP • EXPE • EXW • EXPF • EXEF • EXWF7-4-□
EX6-4-□



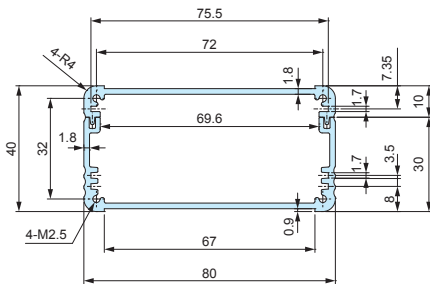
EXP • EXPE • EXW • EXPF • EXEF • EXWF7-6-□
EX6-5-□



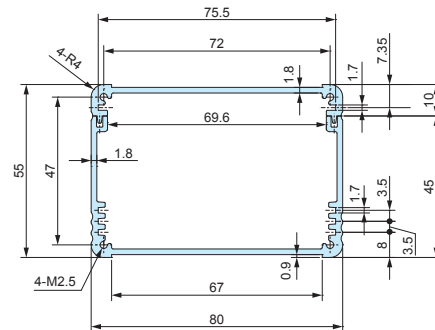
EXP • EXPE • EXW • EXPF • EXEF • EXWF9-4-□
EX8-3-□



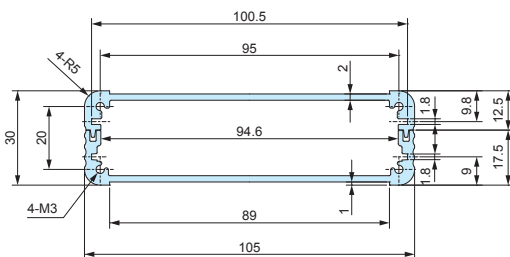
EXP • EXPE • EXW • EXPF • EXEF • EXWF9-5-□
EX8-4-□



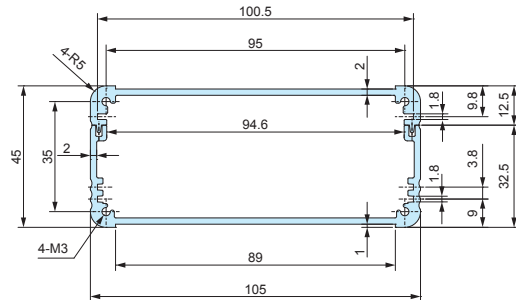
EXP • EXPE • EXW • EXPF • EXEF • EXWF9-6-□
EX8-6-□



EXP • EXPE • EXW12-4-□
EXPF • EXEF • EXWF11-4-□
EX11-3-□



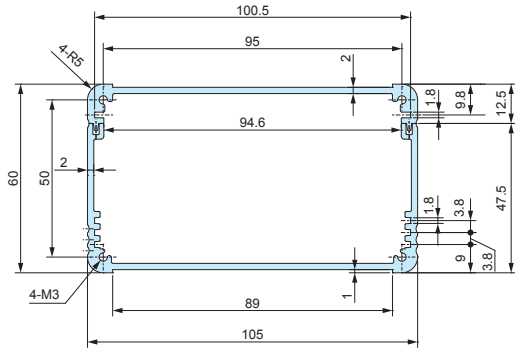
EXP • EXPE • EXW12-6-□
EXPF • EXEF • EXWF11-6-□
EX11-5-□



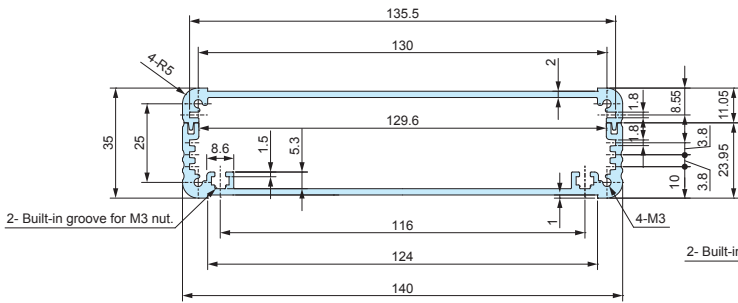
EXP • EXPE • EXW • EXPF • EXEF • EXWF • EX top / bottom covers

■ Drawings below are reference examples only.
DXF/DWG/PDF drawings available on our website.

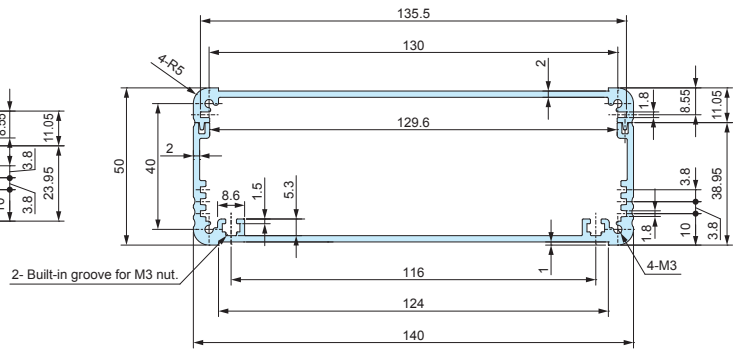
EXP • EXPE • EXW12-7-□
EXPF • EXEF • EXWF11-7-□
EX11-6-□



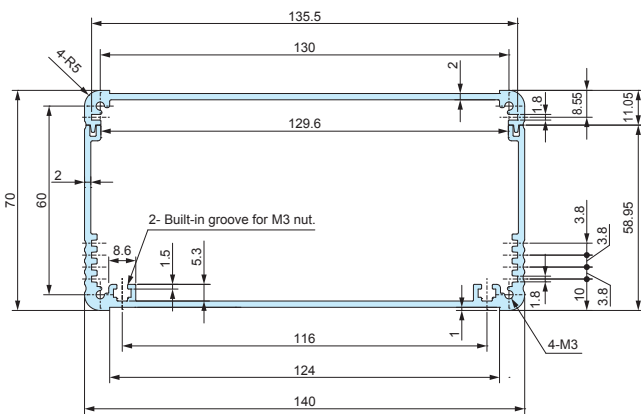
EXP • EXPE • EXW • EXPF • EXEF • EXWF15-5-□
EX14-4-□



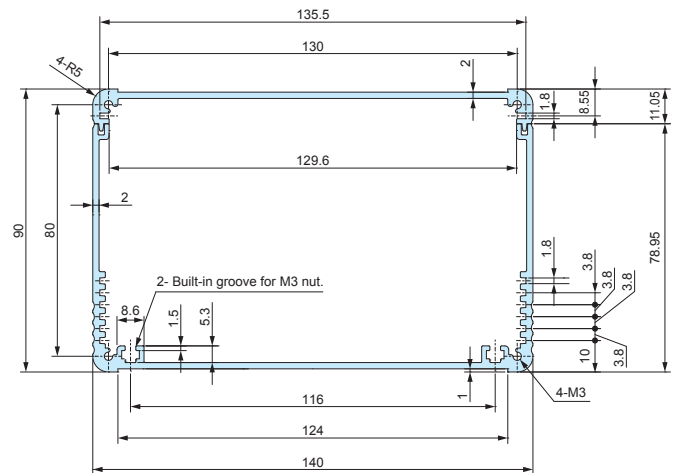
EXP • EXPE • EXW • EXPF • EXEF • EXWF15-6-□
EX14-5-□



EXP • EXPE • EXW • EXPF • EXEF • EXWF15-8-□
EX14-7-□



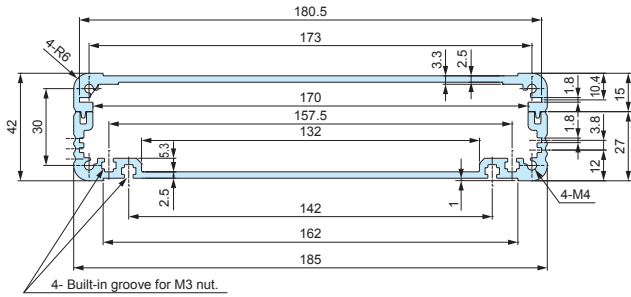
EXP • EXPE • EXW • EXPF • EXEF • EXWF15-10-□
EX14-9-□



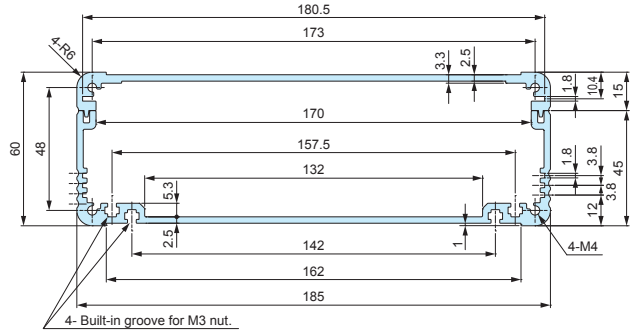
EXP • EXPE • EXPF • EXEF • EXWF • EX top / bottom covers

■ Drawings below are reference examples only.
DXF/DWG/PDF drawings available on our website.

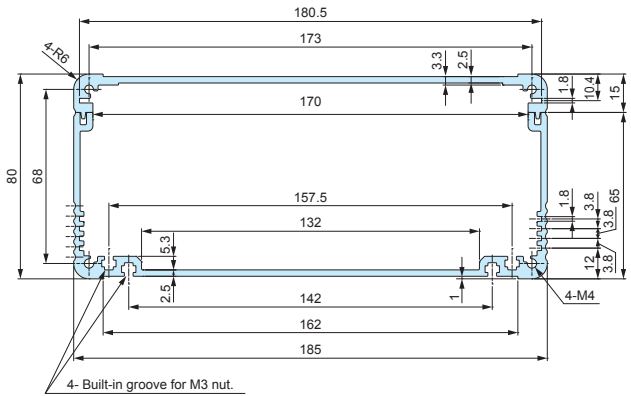
EXP • EXPE • EXPF • EXEF • EXWF20-6-□
EX19-4-□



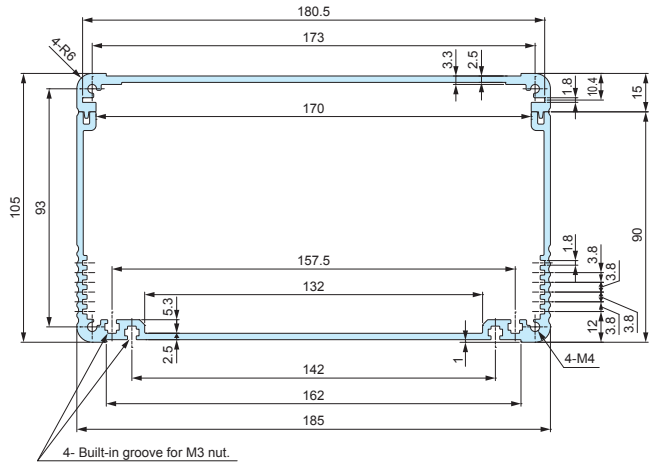
EXP • EXPE20-7-□
EXPF • EXEF • EXWF20-8-□
EX19-6-□



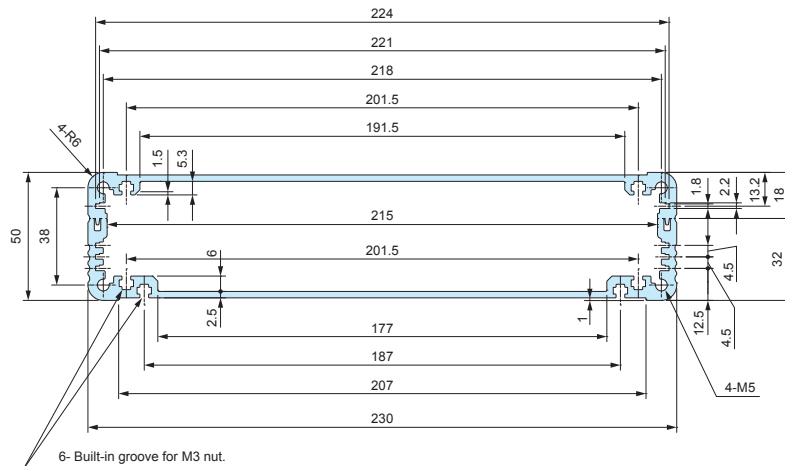
EXP • EXPE20-9-□
EXPF • EXEF • EXWF20-10-□
EX19-8-□



EXP • EXPE • EXPF • EXEF • EXWF20-12-□
EX19-11-□



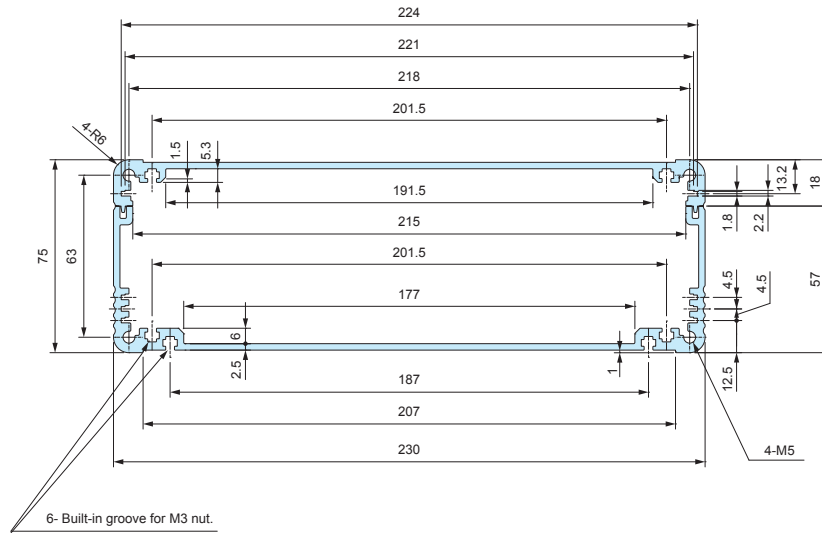
EXP • EXPE24-6-□
EXPF • EXEF • EXWF24-7-□
EX23-5-□



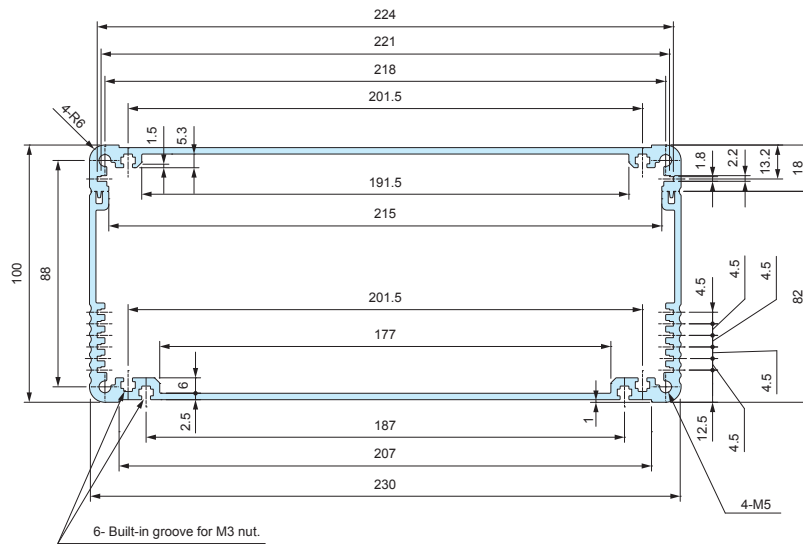
EXP • EXPE • EXPF • EXEF • EXWF • EX top / bottom covers

■ Drawings below are reference examples only.
DXF/DWG/PDF drawings available on our website.

EXP • EXPE • EXPF • EXEF • EXWF24-9-□
EX23-8-□

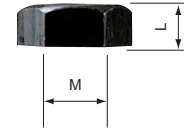
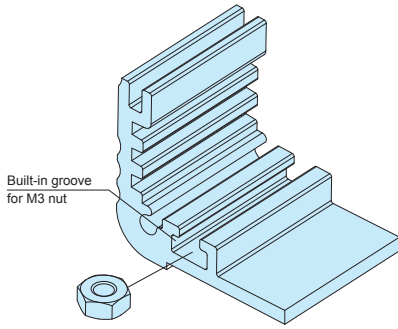


EXP • EXPE24-11-□
EXPF • EXEF • EXWF24-12-□
EX23-10-□



MT-3N

SLIDING NUT for EXP • EXPE • EXW • EXPF • EXEF • EXWF • EX



Product no. / Dimensions

Product no.	M	L	Material	Finish	Pack of
MT-3N	3	2.4	Steel	Black trivalent chromate	50

- Sliding nut can be used on all EXP • EXPE • EXW • EXPF • EXEF • EXWF • EX models with width 140mm or larger bottom covers, as well as with width 230mm top covers.

EXEG SERIES

EMC SHIELDING FABRIC-OVER-FOAM GASKET for EXPE • EXEF



- EMC shielding fabric-over-foam gasket for EXPE • EXEF series.

Suitable Enclosure

Product no.	Suitable enclosure
EXEG-2.5	EXPE7-□ • 9-□ • 12-□ • 15-□ / EXEF7-□ • 9-□ • 11-□ • 15-□
EXEG-3.2	EXPE20-□ • 24-□ / EXEF20-□ • 24-□



Product no. / Dimensions

Product no.	Φ	Material	Color	Sales unit
EXEG-2.5	2.5	Wire mesh gasket • TPE	Metallic gray	500mm x 1 pc
NEW EXEG-3.2	3.2	Wire mesh gasket • TPE	Metallic gray	500mm x 1 pc

Length tolerance = +/- 10%

APPLICATION EXAMPLE EX series

PREMAIN POWER AMPLIFIER

Product by AY-densi (Japan)



USB EDGE NODE

Product by SHINWA (Japan)

