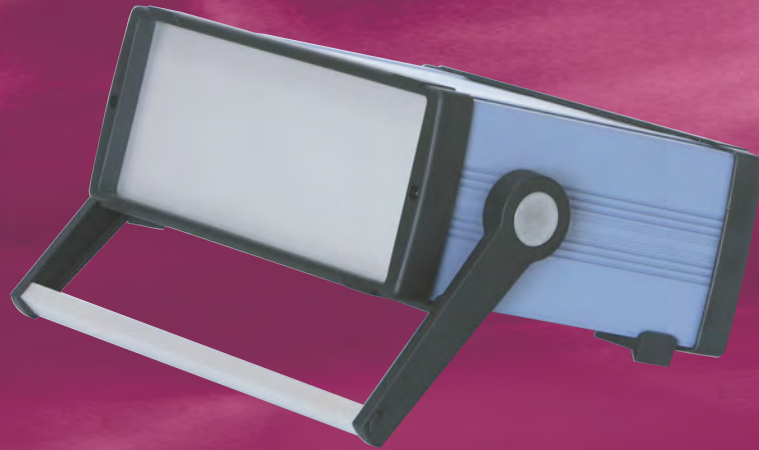
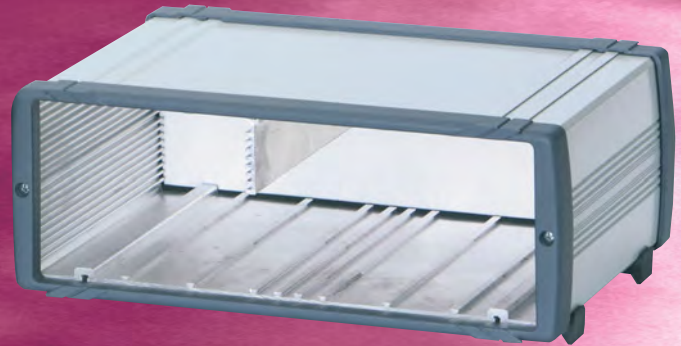




## Functionality "to the X degree"

The X-dream small case offers maximum functionality. The solid aluminium extrusion case body forms the extremely stable basis of the case.



Sample configuration



This patented construction offers extra space uncommon to most small cases.

Integrated dovetail guides allow the adapter rails to be moved into different positions, which allows standard-format cards or different size electronics to be installed.

When used with seals and front panels (see accessories), the stylish frame provides maximum protection against exterior influences (up to IP 66 degree of protection). Base feet or customised mounting equipment can be fit into the practical mounting grooves on the underside of the case.

The X-dream small case series can also be fit or retrofitted with a prop-up and carrying handle.

### Small case *Xdream*

- high protection system: IP 66
- all standard-size cards (100, 120, 160, 190 to 233.35mm) can be installed in one case
- adapter rails allow you to customise your installation
- sturdy design
- adjustable depths
- stackable
- integrated mounting grooves
- functional accessories
- prop-up and carrying handle optional
- favourable EMC characteristics



**Application:**

basic case for electronics and other standard-sized cards

**Construction:**

solid aluminium extrusion enclosed by a plastic frame on the front and rear

**Finish:**

RAL 7035 light grey  
Frame: black

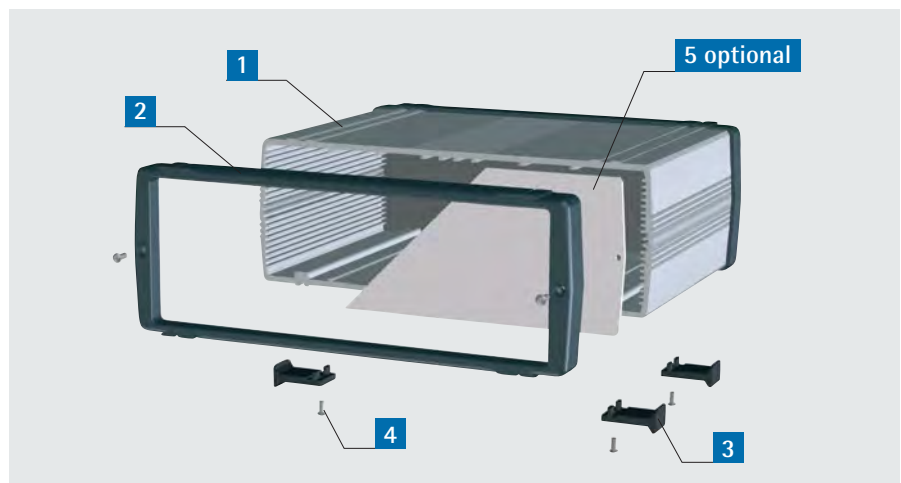
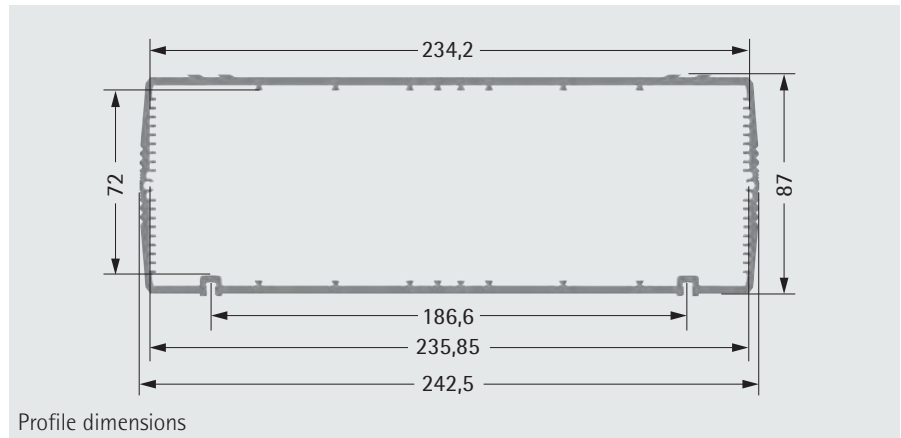
**Material:**

aluminium extrusion  
frame: plastic, flammability tested acc. to UL 94 V-0

**Protection system:** IP 66\*

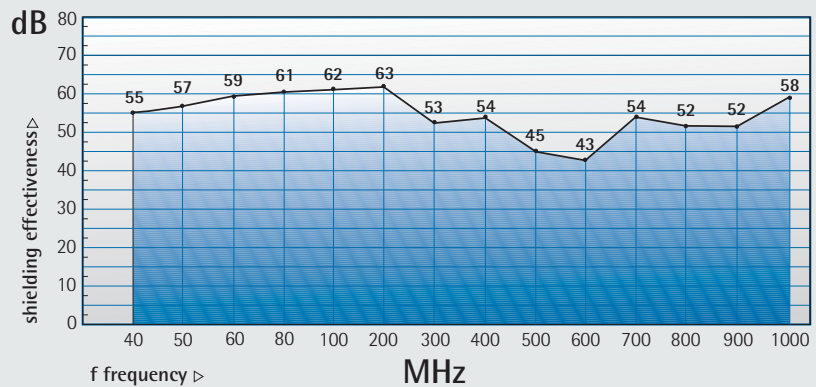
(\*configuration: solid back and front panel, frame seal IP 66, without handle)

**Delivery:** not assembled



**Shielding effectiveness of EMC version:**

Average values, calculated from measurement results of an independent institution



**Testing specifications:**

The shielding effectiveness of the empty case was measured according to VG 95373 part 15 in a frequency range of 40 to 1000 MHz.

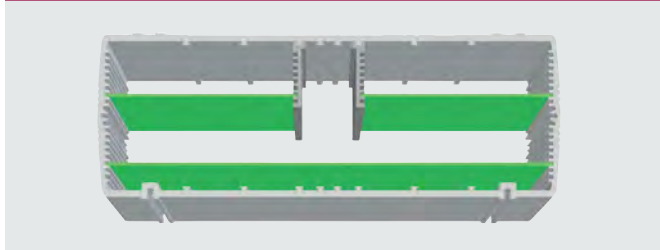
**Delivery**

Item	Pc.	Description
1	1	Aluminium extrusion
2	2	Plastic frame
3	4	Stacking feet
4		Assembly material
	(1)	Prop-up and carrying handle (without fig.)

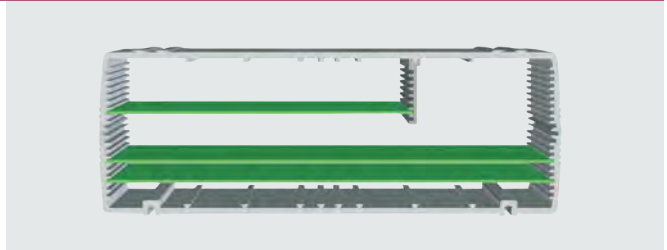
Description	For card depth mm	Order no.
Small case D=180 mm	160	418-001-60
Small case D=180 mm with handle	160	418-001-65
Small case D=240 mm	220	418-002-20
Small case D=240 mm with handle	220	418-002-25



Possible combinations



2 x card width 100 mm; 1 x card width 233,35 mm



1 x card width 160 mm; 2 x card width 233,35 mm



1 x card width 120 mm; 1 x card width 233,35 mm



2 x card width 190 mm

More combinations are possible.

5 Front/ rear panel



**Material:**  
aluminium 2.5 mm  
**Finish:**  
anodised front, conductive rear

<b>Order no.</b>
418-004-00

Frame seal IP 66

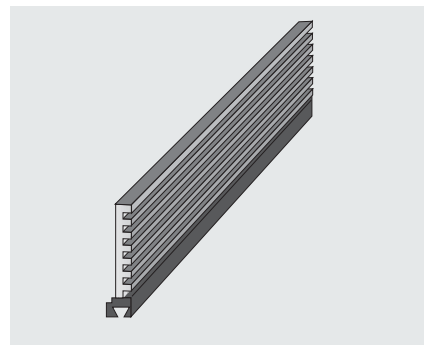


- self-adhesive, for adhering to front or rear panel
- necessary to achieve IP 66

**Material:**  
cellular rubber

<b>Order no.</b>
418-006-02

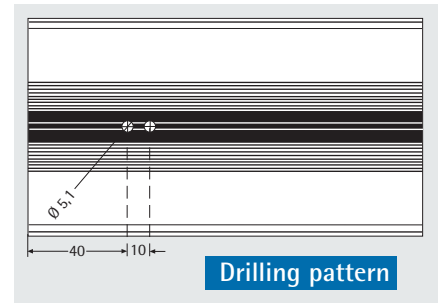
Adapter rail



- for integration of cards in different widths
- fits in the case's dovetail guides
- with special sliding surface

For card depth d mm	Order no.
160	418-003-16
220	418-003-22

Prop-up and carrying handle



- for retrofitting
- assembly material included

<b>Order no.</b>
615-060-03