



 Universal

# apra line



Sample configuration

## Desktop enclosure apraLine

- impressive design with elegant lines and two-tone surface
- ergonomic recessed handles standard
- easy-to-maintain and cost-saving design principle: all cover plates can be easily removed from the assembled enclosure
- also available as 19" enclosure (see Chapter 19" Enclosure Systems, p. 25)
- side panels with universal mounting grid of 10 mm create universal mounting combinations for various card depths and additional models of module rails
- optimum heat dissipation through ventilated bottom and rear panels
- IP 20/30 protection system
- installation dimensions acc. to IEC 60297-3-101

Matching front panels

see p. 128

Matching plug-in modules

see p. 134



### Desktop enclosure apraLine

**Application:**

holds Eurocards and modules acc. to IEC 60297-3-101 as well as customised electronic components.

**Construction:**

together with the identical front and rear frame the side panels form a sturdy and solid enclosure. Ergonomic recessed handles and grooves for using mounting nuts and universal mounting grids of 10mm are built into the recessed extrusions. Top and bottom shells and rear panel are made of aluminium and are available as ventilated or closed versions.

**Finish:**

cover panels: RAL 7035 light grey  
frame and side panels:  
RAL 7001 silver grey

**Degree of protection:**

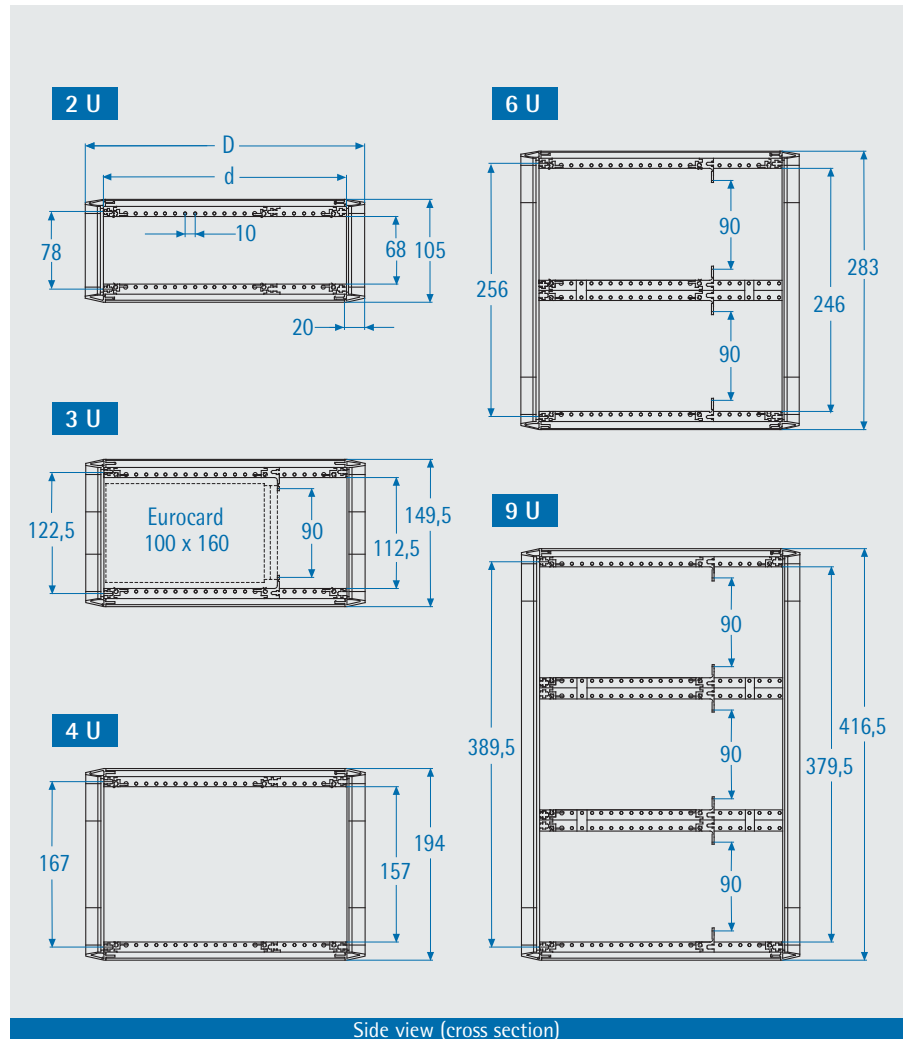
IP 30: closed type  
IP 20: ventilated type

**Delivery:**

assembled

**Standard**

installation dimensions acc. to IEC 60297-3-101



### Available enclosure sizes

U	HP	W mm	D <sub>1</sub> mm	D <sub>2</sub> mm	D <sub>3</sub> mm	D <sub>4</sub> mm	D <sub>5</sub> mm
2	84	478	262	302	-	-	-
	63	371					
	42	264					
	28	193					
3	84	478	262	302	342	382	482
	63	371					
	42	264					
	28	193					
4	84	478	262	302	342	382	482
	63	371					
	42	264					
	28	193					
6 double row	84	478	262	302	342	382	482
	63	371					
	42	264					
	28	193					
9	84	478	262	302	342	382	482

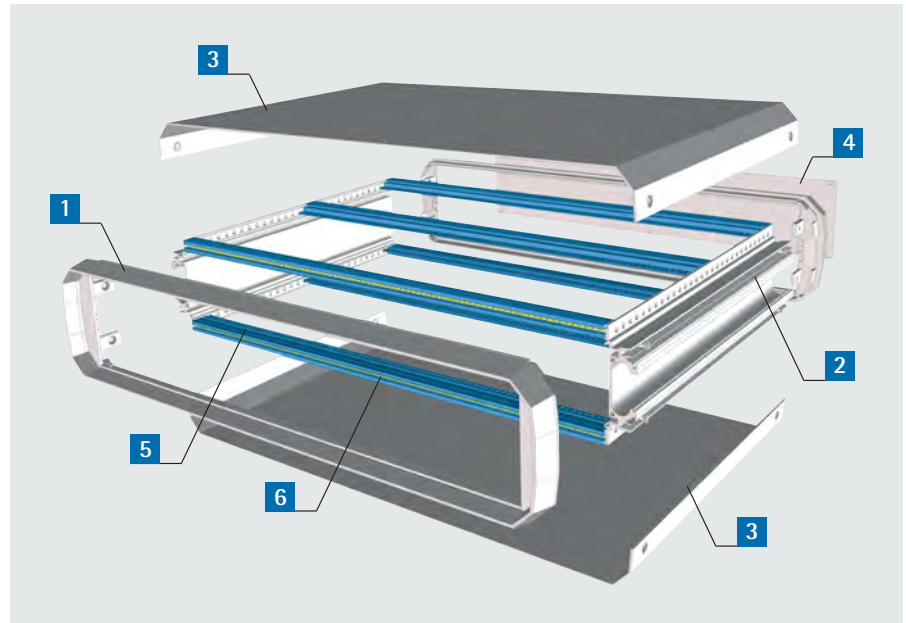
- U:** available height units
- HP:** available installing width
- W:** enclosure width
- D<sub>1-5</sub>:** available enclosure depths
- d<sub>1-5</sub>:** available installing depth  
d<sub>1-5</sub>=D<sub>1-5</sub> - 40 mm



Desktop enclosure apraLine 2 U

Delivery

Item	Pc	Description
1	2	Frame
2	2	Side panel
3	2	Top/bottom shell (ventilated/without ventilation)
4	1	Rear panel (ventilated/without ventilation)
5	6	Module rail without front projection, type 241-030
6	2	Threaded strips M 2,5
7	1 Set	Assembly material incl. 4 enclosure feet



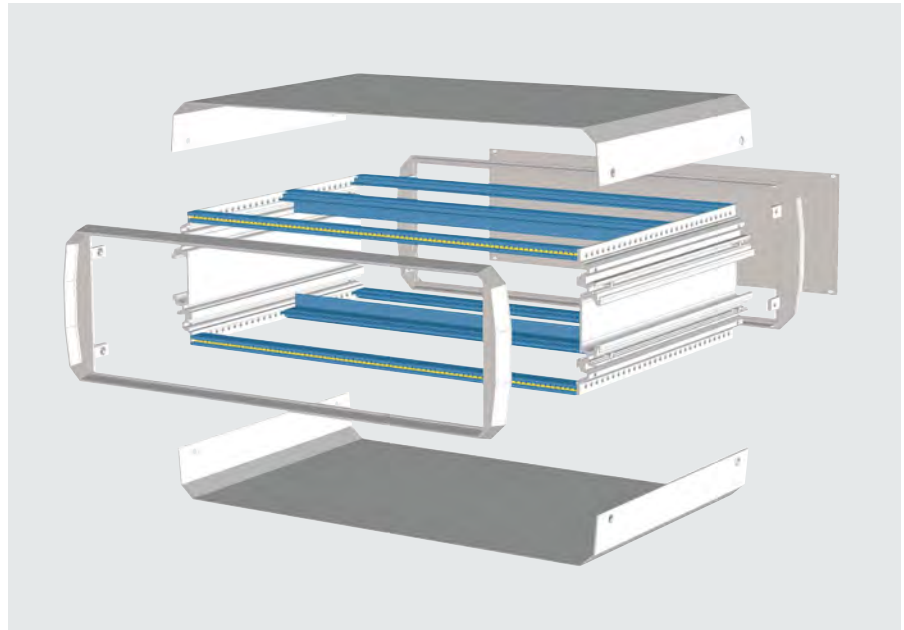
HP	D mm	Feature	Order no.
84	262	without ventilation	280-201
63			280-202
42			280-203
28			280-204
84		ventilated in rear panel and one shell	280-251
63			280-252
42			280-253
28			280-254
84	302	without ventilation	280-211
63			280-212
42			280-213
28			280-214
84		ventilated in rear panel and one shell	280-261
63			280-262
42			280-263
28			280-264



### Desktop enclosure apraLine 3 U

#### Delivery

Item	Pc	Description
1	2	Frame
2	2	Side panel
3	2	Top/bottom shell (ventilated/without ventilation)
4	1	Rear panel (ventilated/without ventilation)
5a	4	Module rail without front projection
5b	2	Module rail with integrated mounting rail and notch, type 266-006
6	2	Threaded strips M 2,5
7	1 Set	Assembly material incl. 4 enclosure feet





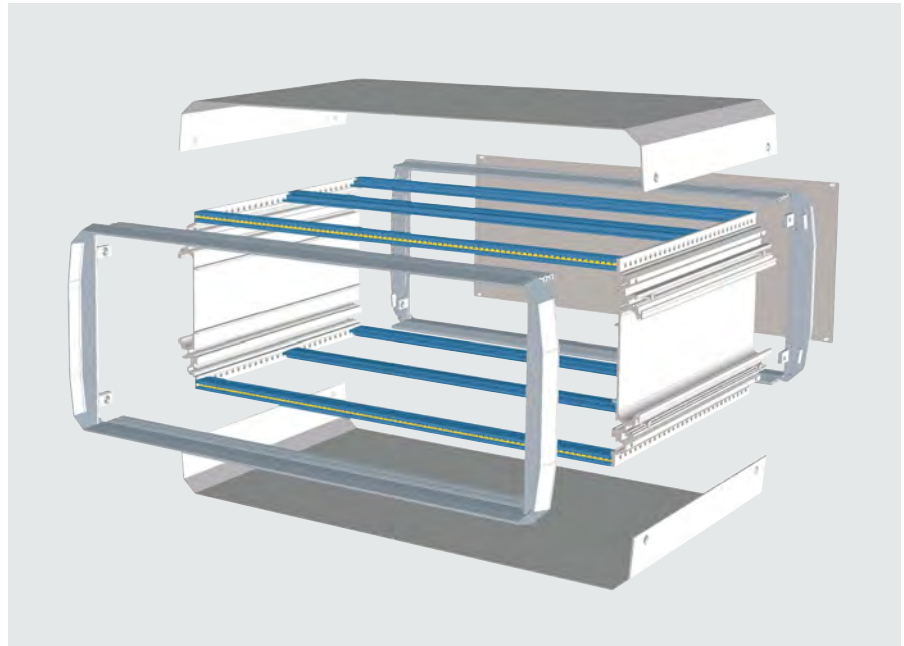
HP	D mm	Feature	Order no.
84	262	without ventilation	280-301
63			280-302
42			280-303
28			280-304
84		ventilated in rear panel and one shell	280-351
63			280-352
42			280-353
28			280-354
84	302	without ventilation	280-311
63			280-312
42			280-313
28			280-314
84		ventilated in rear panel and one shell	280-361
63			280-362
42			280-363
28			280-364
84	342	without ventilation	280-321
63			280-322
42			280-323
28			280-324
84		ventilated in rear panel and one shell	280-371
63			280-372
42			280-373
28			280-374
84	382	without ventilation	280-331
63			280-332
42			280-333
28			280-334
84		ventilated in rear panel and one shell	280-381
63			280-382
42			280-383
28			280-384
84	482	without ventilation	280-341
63			280-342
42			280-343
28			280-344
84		ventilated in rear panel and one shell	280-391
63			280-392
42			280-393
28			280-394



### Desktop enclosure apraLine 4 U

#### Delivery

Item	Pc	Description
1	2	Frame
2	2	Side panel
3	2	Top/bottom shell (ventilated/without ventilation)
4	1	Rear panel (ventilated/without ventilation)
5a	4	Module rail without front projection, type 241-030
5b	2	Module rail Standard, type 241-022
6	2	Threaded strips M 2,5
7	1 Set	Assembly material incl. 4 enclosure feet







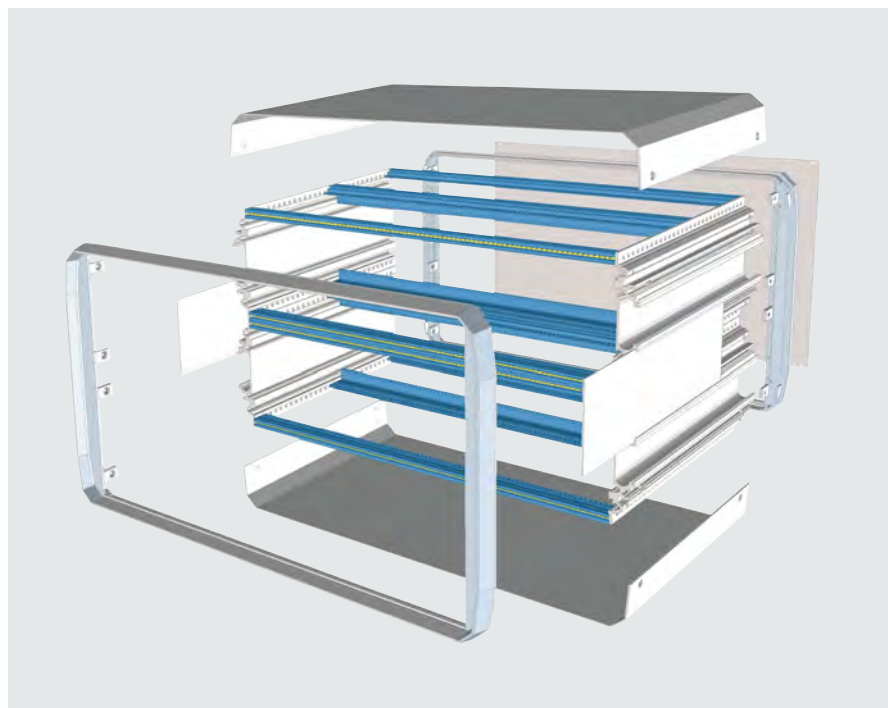
HP	D mm	Feature	Order no.
84	262	without ventilation	280-401
63			280-402
42			280-403
28			280-404
84		ventilated in rear panel and one shell	280-451
63			280-452
42			280-453
28			280-454
84	302	without ventilation	280-411
63			280-412
42			280-413
28			280-414
84		ventilated in rear panel and one shell	280-461
63			280-462
42			280-463
28			280-464
84	342	without ventilation	280-421
63			280-422
42			280-423
28			280-424
84		ventilated in rear panel and one shell	280-471
63			280-472
42			280-473
28			280-474
84	382	without ventilation	280-431
63			280-432
42			280-433
28			280-434
84		ventilated in rear panel and one shell	280-481
63			280-482
42			280-483
28			280-484
84	482	without ventilation	280-441
63			280-442
42			280-443
28			280-444
84		ventilated in rear panel and one shell	280-491
63			280-492
42			280-493
28			280-494



### Desktop enclosure apraLine 6 U double row

#### Delivery

Item	Pc	Description
1	2	Frame
2	4	Side panel
3	2	Top/bottom shell (ventilated/without ventilation)
4	1	Rear panel (ventilated/without ventilation)
5a	4	Module rail without front projection, type 241-030
5b	4	Module rail with integrated mounting rail and notch, type 266-006
5c	2	Module rail, standard with notch, type 280-022
6	4	Threaded strips M 2,5
7	1 Set	Assembly material incl. 4 enclosure feet







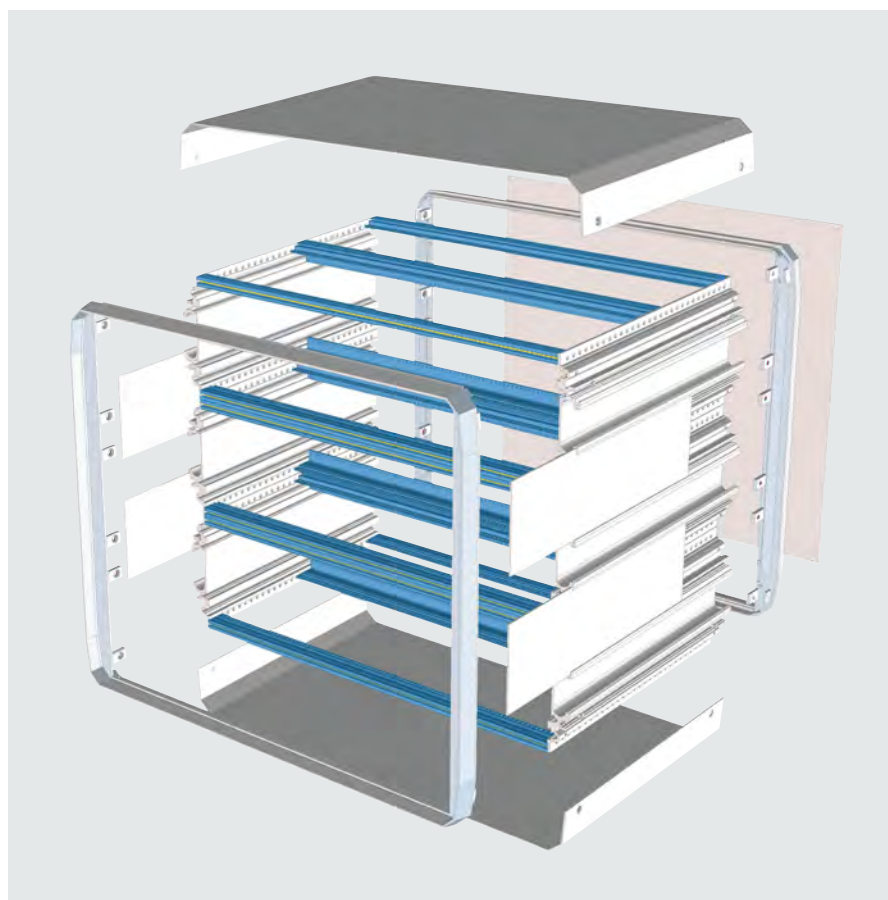
HP	D mm	Feature	Order no.
84	262	without ventilation	280-601
63			280-602
42			280-603
28			280-604
84		ventilated in rear panel and one shell	280-651
63			280-652
42			280-653
28			280-654
84	302	without ventilation	280-611
63			280-612
42			280-613
28			280-614
84		ventilated in rear panel and one shell	280-661
63			280-662
42			280-663
28			280-664
84	342	without ventilation	280-621
63			280-622
42			280-623
28			280-624
84		ventilated in rear panel and one shell	280-671
63			280-672
42			280-673
28			280-674
84	382	without ventilation	280-631
63			280-632
42			280-633
28			280-634
84		ventilated in rear panel and one shell	280-681
63			280-682
42			280-683
28			280-684
84	482	without ventilation	280-641
63			280-642
42			280-643
28			280-644
84		ventilated in rear panel and one shell	280-691
63			280-692
42			280-693
28			280-694



**Desktop enclosure apraLine 9 U**

**Delivery**

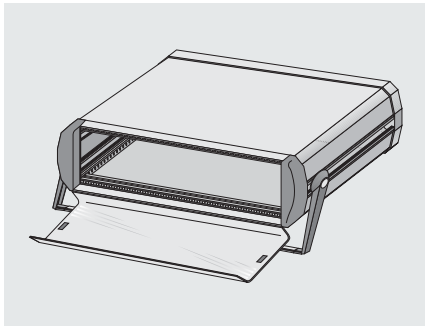
Item	Pc	Description
1	2	Frame
2	6	Side panel
3	2	Top/bottom shell (ventilated/without ventilation)
4	1	Rear panel (ventilated/without ventilation)
5a	4	Module rail without front projection, type 241-030
5b	6	Module rail with integrated mounting rail and notch, type 266-006
5c	4	Module rail, standard with notch, type 280-022
6	6	Threaded strips M 2,5
7	1 Set	Assembly material incl. 4 enclosure feet



HP	D mm	Feature	Order no.
84	262	without ventilation	280-901
		ventilated in rear panel and one shell	280-951
	302	without ventilation	280-911
		ventilated in rear panel and one shell	280-961
	342	without ventilation	280-921
		ventilated in rear panel and one shell	280-971
	382	without ventilation	280-931
		ventilated in rear panel and one shell	280-981
	482	without ventilation	280-941
		ventilated in rear panel and one shell	280-991



### Front door, flip-down

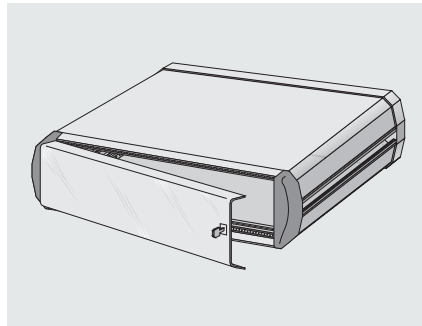


#### Delivery

Item	Pc.	Description
1	1	Fully assembled door consists of frame, hinges and plexiglass pane
2	2	Sash fasteners

HP	U	Order no.
84	3	280-109
63		280-108
42		280-107
28		280-106
84	4	280-119
63		280-118
42		280-117
28		280-116
84	6	280-179
63		280-178

### Front door, hinged



#### Delivery

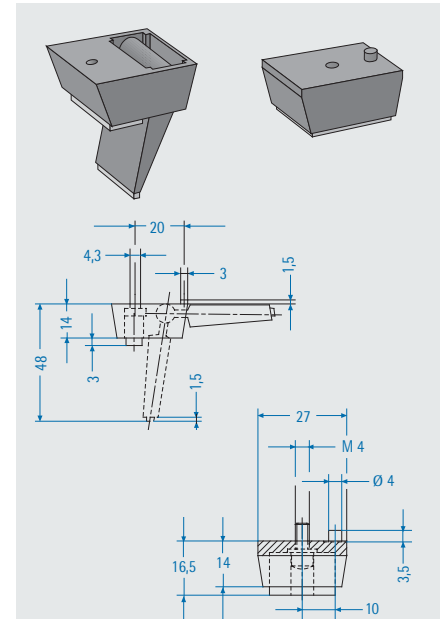
Item	Pc.	Description
1	1	Fully assembled door consists of frame, hinges and plexiglass pane
2	1	Sash fastener

HP	U	Order no.
42	3	280-102
28		280-101
42		280-112
28	4	280-111
42		280-172
28	6	280-171

#### Lock for hinged front door

Order no.
446-001

### Prop-up and base feet set



- corresponding bores need to be realised in the bottom shell
- set = 2 pairs

#### Delivery

Item	Pc.	Description
1	2	Prop-up feet
2	2	Rear base feet
3		Assembly material

Order no.
615-019

### Prop-up and carrying handle

- can be used with following enclosures series: apraLine, profi-set, Zenith, Tamago
- suitable for all 3 U and 4 U enclosures
- handle can be set 30° by pressing a button to snap it into place

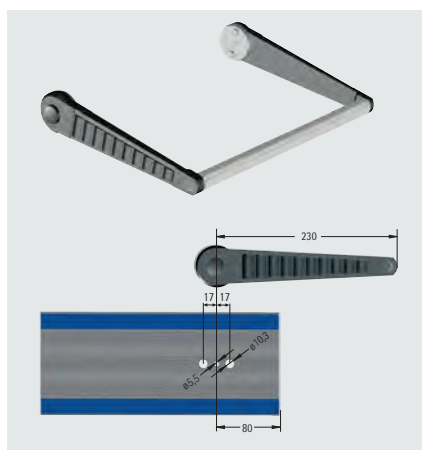
#### Material:

handle extrusion: aluminium extrusion  
metal handle, attachments, adapter: die-cast zinc

#### Finish:

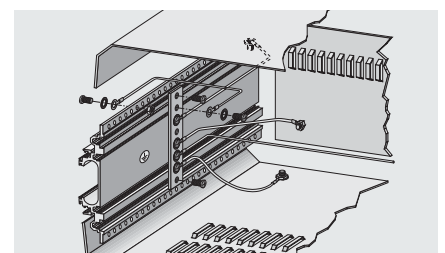
handle extrusion: anodised  
metal handle: RAL 9011 deep black  
button, screw covers: plastics, black

**Load capacity:** 50 kg



HP	Order no.
42	264-100-42
63	264-100-63
84	264-100-84

### Earth conductor set



- for earth conducting acc. to VDE

Installation height U	Order no.
3	140-033
4	140-034
6	140-036
9	140-039

Other finishes and widths available upon request.