

Raspberry Pi 4B HEAT-SINK ALUMINIUM CASE

Made with Aluminium Diecast material
for Excellent Heat Dissipation and Rigidity

Exceptional Functionality with Superb Cost Efficiency!

RPH series



3 different types are available: Desktop, Flanged and DIN Rail

**Desktop type
RPH-4B**



Available in metallic silver and black
for Raspberry Pi 4 Model B

**Flanged type
RPH-4B-F**



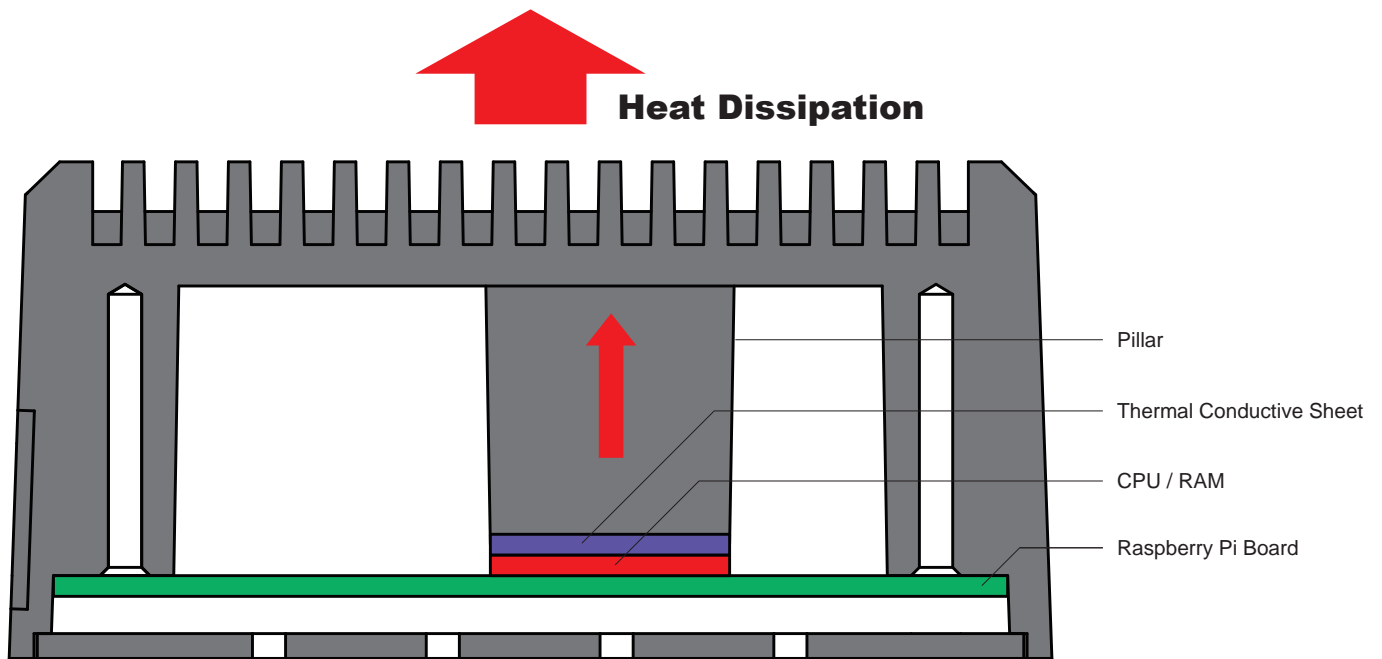
Compatible with VESA Mount Standards
(75 x 75mm / 100 x 100mm), and can be
installed on the back side of PC displays, etc.

**DIN Rail type
RPHD-4B**

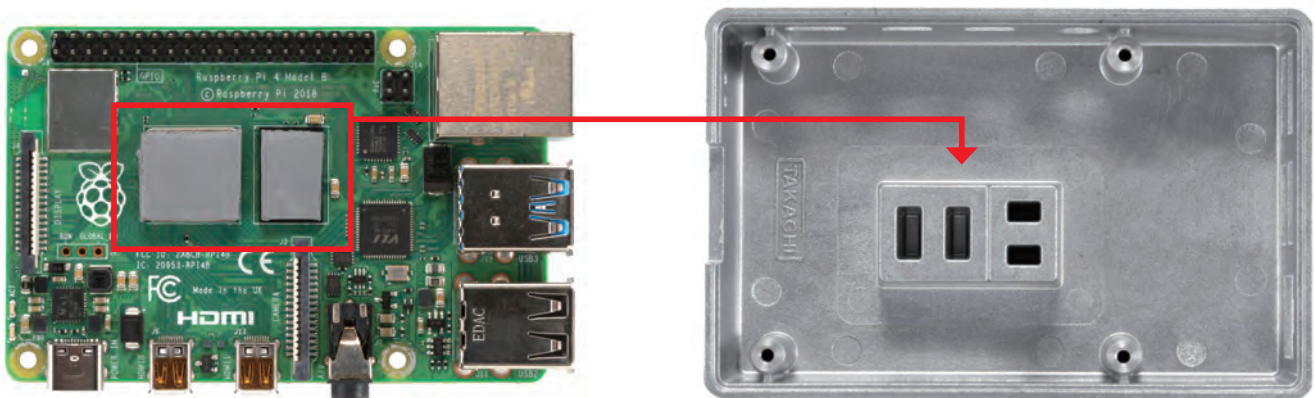


Available with DIN rail mounting bracket.
Perfect for mounting on control panels
or switchboards.

Efficient Heat Dissipation Construct to Maximize your Raspberry Pi Performance!



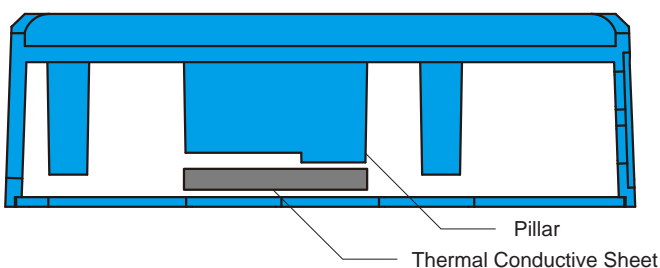
■ Attach thermal conductive sheet onto CPU and RAM. Heat is transferred to the heat-sink cover through the pillar.



2 different Heat dissipation and Normal are available.

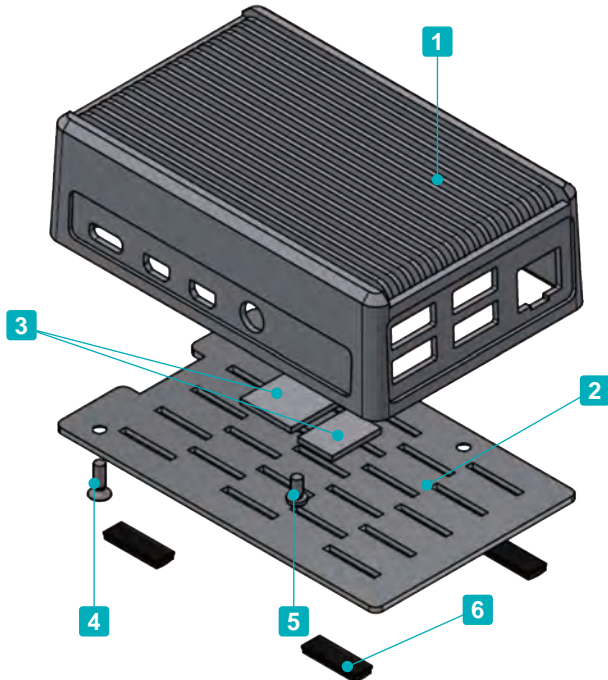
RPH-4B-H (Heat dissipation)

RPH-4B-N (Normal)





Heat Resistant



Heat Dissipation

Normal



- Heat-sink top cover case exclusively for use with the Raspberry Pi 4 Model B. Equipped with highly efficient heat-sink top cover.
- Constructed using diecast aluminium for strength and rigidity.
- 2 different Desktop and Flanged wall mount are available. Flanged wall mount type is compatible with VESA Mount Standards, (75 x 75mm / 100 x 100mm), and can be installed on the back side of PC displays, etc.
- Raspberry Pi board is not included.

Components

No.	Part name	Pcs	Material	Color / Finish
1	Top cover	1	Diecast aluminium ADC12	Silver • Black / Powder coated
2	Base	1	Aluminium A1100P t±1.5	Metallic silver / Painted (Conductive inside) • Black / Painted
3	Thermal conductive sheet (H type only)	2	Silicone polymer + Ceramic composite	Gray
4	Screw (M2.5-10 flat head)	2	Steel	Trivalent chromate • Black trivalent chromate
5	Screw for Board (M2.5-4 pan head)	2	Steel	Trivalent chromate
6	Rubber feet *	4	Polyurethane	Black

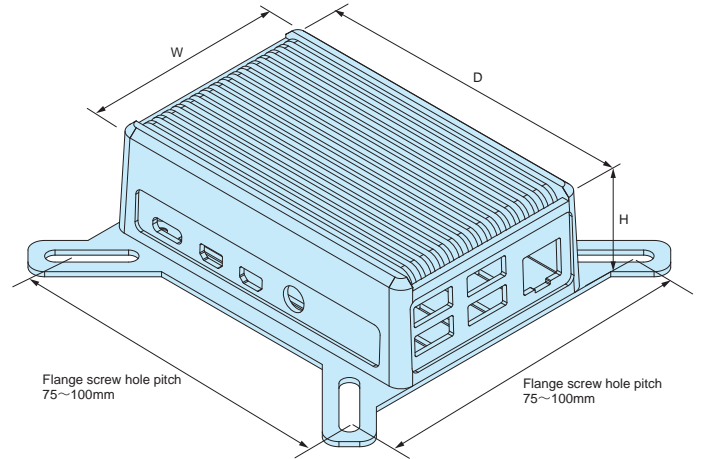
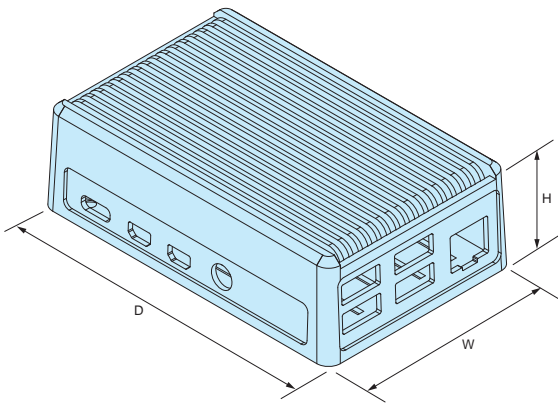
* Not applicable to flanged models.

RPH dimensions

■ DXF/DWG/PDF/STP drawings available on our website.

RPH-4B-H, RPH-4B-N (Desktop)

RPH-4B-FH, RPH-4B-FN (Flanged)



Product no. / Dimensions

Product no.		External dimensions			Type	Included accessory	※ Thermal resistance rate (°C/W)	Weight (g)
● Silver	● Black	W	H	D				
RPH-4B-H-S	RPH-4B-H-B	63	30	98	Desktop Heat dissipation	Rubber feet Thermal conductive sheets	7.31	159.9
RPH-4B-N-S	RPH-4B-N-B	63	30	98		Desktop Normal		
RPH-4B-FH-S	RPH-4B-FH-B	63	31.5	98	Flanged Heat dissipation	Thermal conductive sheets	7.31	168.2
RPH-4B-FN-S	RPH-4B-FN-B	63	31.5	98	Flanged Normal	—	7.31	150.3

※ Thermal resistance test condition
 • Ambient air cooling.
 • Heat-sink fins are set perpendicular to the ground with temperature at 60°C.
 • Powder coated aluminium diecast.
 • Heat source is applied on the opposite side (inner side) of the fins.

Temperature measurement test

Raspberry Pi board is placed into the RPH-4B-H model and a commercially available Raspberry Pi plastic case. Temperature is measured after 6 hours of continuous operation.

*Results will vary depending on usage period and environment. Listed values are in-house test reference values only.



RPH-4B-H
CPU Temperature : 45.7°C



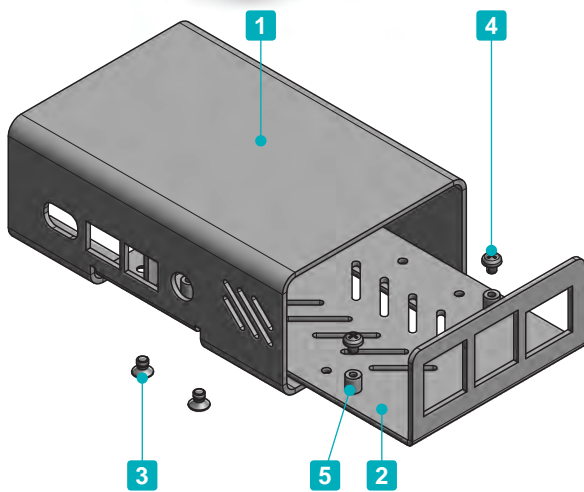
Plastic case
CPU Temperature : 58.4°C



Two Raspberry Pi boards can be installed into the RPI-2 and RPI-4B-2 models.



RPI-1F and RPI-4B-1F models are compatible with VESA Mount Standards (75 x 75mm / 100 x 100mm), and can be installed on the back side of PC displays, etc.



- Compatible with Raspberry Pi 2B, 3B, 3B+ and 4B boards.
- All aluminium, polished and elegant metallic silver finish.
- 3 different Single desktop, Dual desktop, and Single flanged are available.
- Conductive internal surface.

■ Raspberry Pi Board is not included.

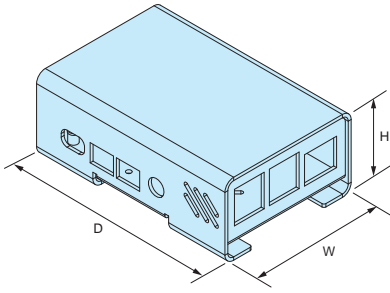
Components

No.	Part name	Pcs	Material	Color / Finish
1	Cover	1	Aluminium A1100P t=1.5	Metallic silver / Painted (Conductive inside)
2	Base	1	Aluminium A1100P t=1.5	Metallic silver / Painted (Conductive inside)
3	Screw (M3-4 flat head)	4	Steel	Trivalent chromate
4	Screw for Board (M2.5-4 pan head)	4	Steel	Trivalent chromate
5	Clinching standoff	4	Steel	Galvanized trivalent

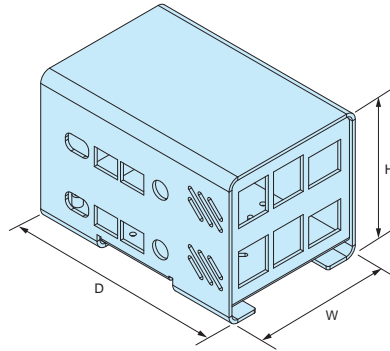
RPI dimensions

■ DXF/DWG/PDF/STP drawings available on our website.

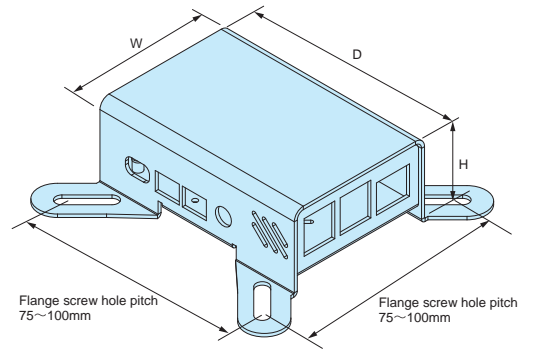
RPI-1, RPI-4B-1 (Single)



RPI-2, RPI-4B-2 (Dual)



RPI-1F, RPI-4B-1F (Flanged)



Product no. / Dimensions

Product no.	External dimensions			Type	Included accessory	Compatible board	Weight (g)
	W	H	D				
RPI-1	65	37	95	Single desktop	Rubber feet	Raspberry Pi 2B/3B/3B+	90.5
RPI-4B-1	65	37	97	Single desktop	Rubber feet	Raspberry Pi 4B	91.5
RPI-2	65	65	95	Dual desktop	Rubber feet	Raspberry Pi 2B/3B/3B+	136
					Hexagonal spacer (M2.5-25)		
RPI-4B-2	65	65	97	Dual desktop	Rubber feet	Raspberry Pi 4B	138.8
					Hexagonal spacer (M2.5-25)		
RPI-1F	65	37	95	Single flanged	—	Raspberry Pi 2B/3B/3B+	91.5
RPI-4B-1F	65	37	97	Single flanged	—	Raspberry Pi 4B	93.8

■ Rubber feet ··· Synthetic rubber / Black Hexagonal spacer ··· Brass / Nickel plated

Raspberry Pi Case Customization

Unique Logo (Inkjet print, Engraving)

See page Custom-1 ~ Custom-4, Custom-8, as well as our website for further details.

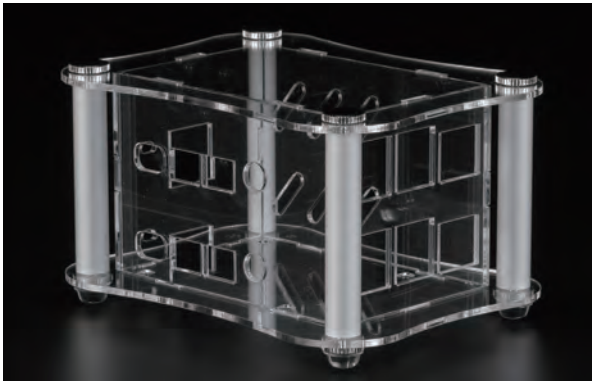
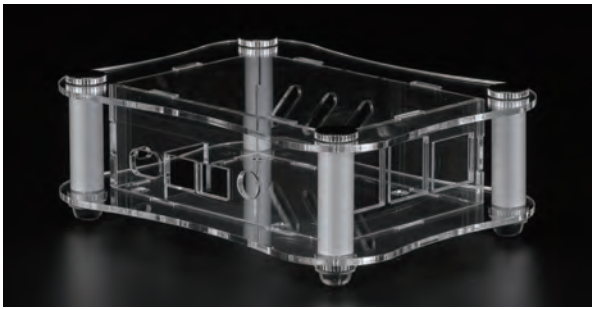
Various print processing methods are available, with no Minimum Order Quantity requirement!



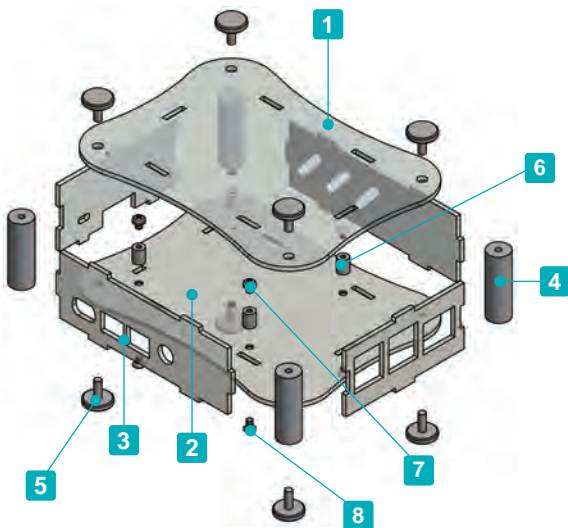
Color Anodization • Painting

See page Custom-12, as well as our website for further details.





RPA-4B-1F is compatible with VESA Mount Standards (100 x 100mm), and can be installed on the back side of PC displays, etc.



- Exclusively for use with Raspberry Pi 4B models.
- 3 different Single desktop, Dual desktop, and Single flanged are available.

■ Raspberry Pi board is not included.

※Ethanol or other alcoholic solvents may cause the acrylic panel to crack.
Use a neutral cleaner or specialized acrylic cleaning solvent for cleaning.

※Included screws : RPA-4B-1 Knurled thumb screw x 8
RPA-4B-2 Knurled thumb screw x 8
RPA-4B-1F Knurled thumb screw x 4
M3-8 flat head, Trivalent chromate x 4

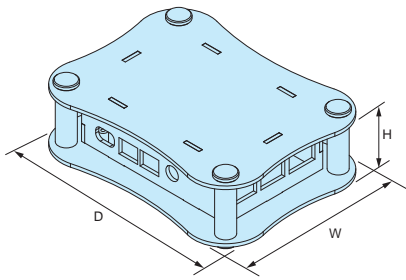
Components

No.	Part name	Pcs	Material	Color / Finish
1	Top cover	1	Acrylic t=2.0	Transparent
2	Bottom cover	1	Acrylic t=2.0	Transparent
3	Panel	4	Acrylic t=2.0	Transparent
4	Pillar	4	Extruded aluminium A6063S-T5	Silver / Anodized with clear coating
5	Knurled thumb screw (M3-8)※	4 / 8	Brass	Nickel plated
6	Standoff (for board)	4	Brass	Nickel plated
7	Screw for Board (M2.5-4 pan head)	4	Steel	Trivalent chromate
8	Screw for Standoffs (M2.5-5 flat head)	4	Steel	Trivalent chromate

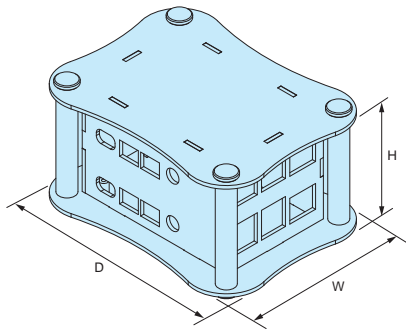
RPA dimensions

■ DXF/DWG/PDF/STP drawings available on our website.

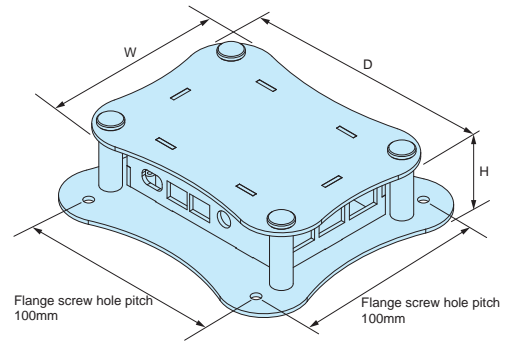
RPA-4B-1 (Single desktop)



RPA-4B-2 (Dual desktop)



RPA-4B-1F (Single flanged)



Product no. / Dimensions

Product no.	External dimensions			Type	Included accessory	Weight (g)
	W	H	D			
RPA-4B-1	95	34	125	Single desktop	Rubber feet	118
RPA-4B-2	95	62	125	Dual desktop	Rubber feet Round spacer (M2.5-25)	171.5
RPA-4B-1F	95	34	125	Single flanged	—	118.5

■ Rubber feet ··· Polyurethane / Transparent Round spacer ··· Brass / Nickel plated

Raspberry Pi Case Customization

Unique Logo (Inkjet print, Engraving)

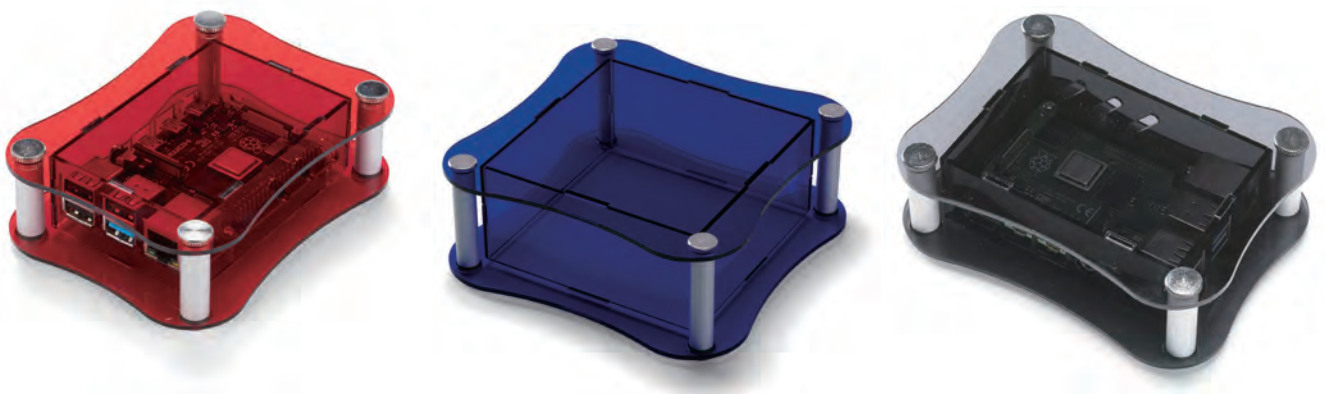
See page Custom-1 ~ Custom-4, Custom-8, as well as our website for further details.

Various print processing methods are available, with no Minimum Order Quantity requirement!



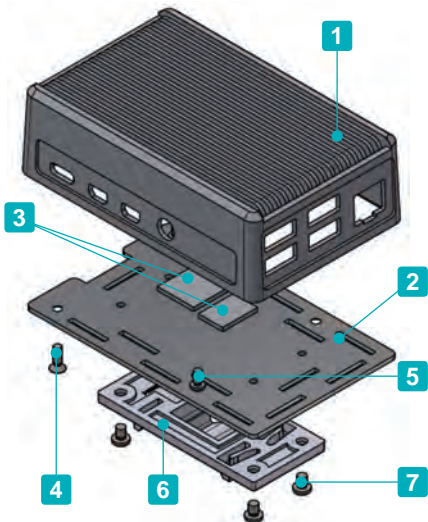
Color Variation

Available in different color types, as well as smoked / tinted shades.





Heat Resistant



Heat Dissipation

Normal



- DIN rail mount heat-sink case exclusively for use with the Raspberry Pi 4B. Equipped with highly efficient heat-sink top cover.
- Constructed using diecast aluminium for strength and rigidity.
- 2 different Heat dissipation and Normal are available.

■ Raspberry Pi board is not included.

Technical Data

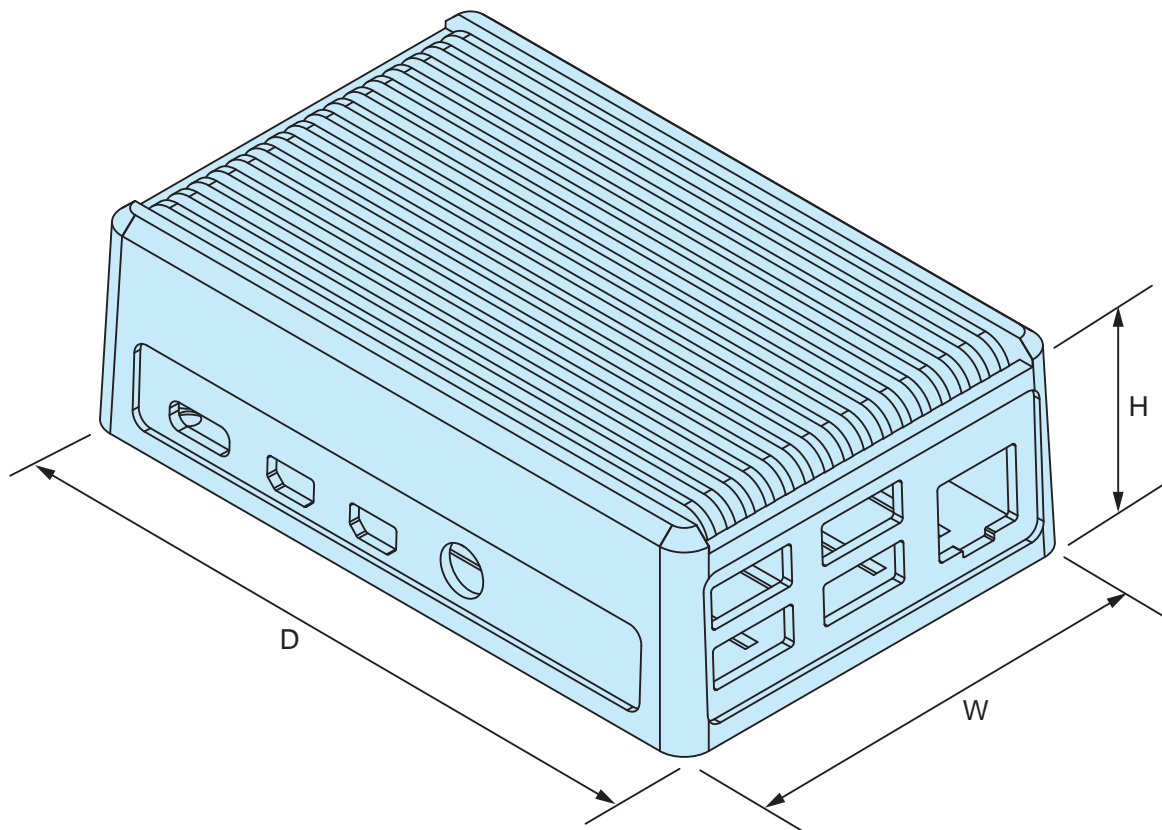
Max load : 300g
Operating Temperature : -20°C ~ +80°C

Components

No.	Part name	Pcs	Material	Color / Finish
1	Top cover	1	Diecast aluminium ADC12	Silver / Powder coated
2	Base	1	Aluminium A1100P t=1.5	Metallic silver / Painted (Conductive inside)
3	Thermal conductive sheet (H type only)	2	Silicone polymer + Ceramic composite	Gray
4	Screw (M2.5-10 flat head)	2	Steel	Trivalent chromate
5	Screw for Board (M2.5-4 pan head)	2	Steel	Trivalent chromate
6	Din-rail mounting base	1	PC • ABS UL94V-0	Light gray
7	Screw for Din-rail mounting base (M3-3 pan head)	4	Steel	Trivalent chromate

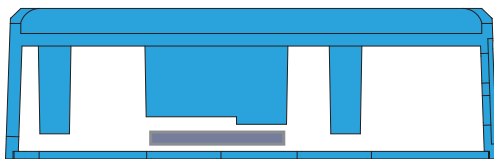
RPHD dimensions

■ DXF/DWG/PDF/STP drawings available on our website.



■ 2 different Heat Dissipation and Normal are available.

RPHD-4B-H (Heat dissipation)



RPHD-4B-N (Normal)



Product no. / Dimensions

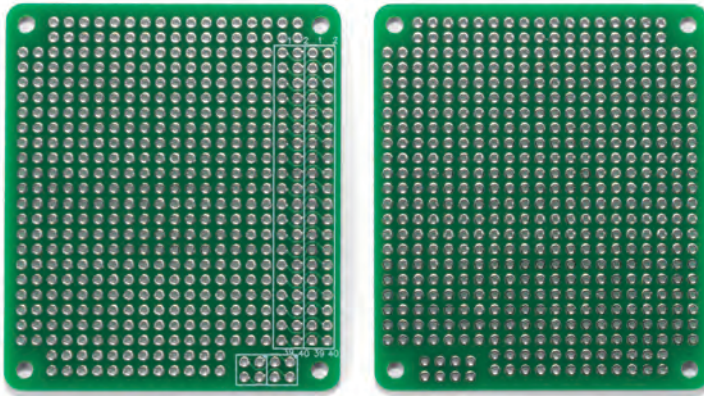
*Din-rail mounting base height is not included in H dimension.

Product no.	External dimensions			Pillar Thermal conductive sheets	※Thermal resistance rate (°C/W)	Weight (g)
	W	H	D			
RPHD-4B-H-S	63	30	98	○	7.31	168.2
RPHD-4B-N-S	63	30	98	×	7.31	150.7

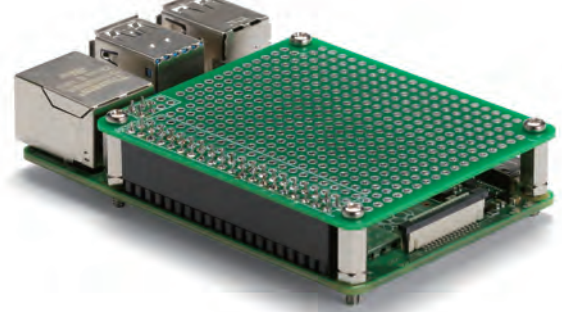
- ※Thermal resistance test condition
- Ambient air cooling.
 - Heat-sink fins are set perpendicular to the ground with temperature at 60°C.
 - Powder coated aluminium diecast.
 - Heat source is applied on the opposite side (inner side) of the fins.

RPCB-4B

EXPANSION PCB for Raspberry Pi 4B



Installation example

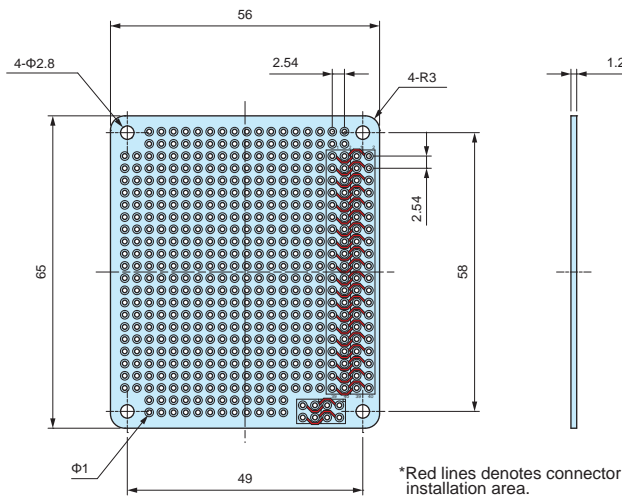


- Raspberry Pi Board is not included.
- Connector, spacer, and mounting screw set are sold separately.

- Material / Finish : Glass epoxy (FR-4) / Through-hole - Lead-free solder resist
- Expansion PCB for standard Raspberry Pi 4B boards. Use to install expansion parts or components.
- Environmentally friendly lead-free solder. RoHS3 compliant.

RPCB-4B dimensions

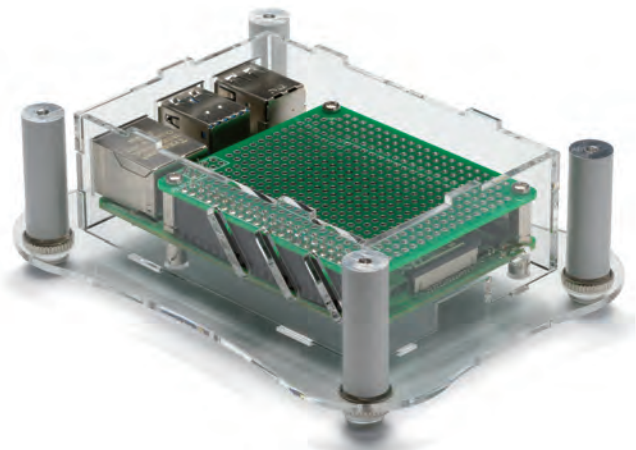
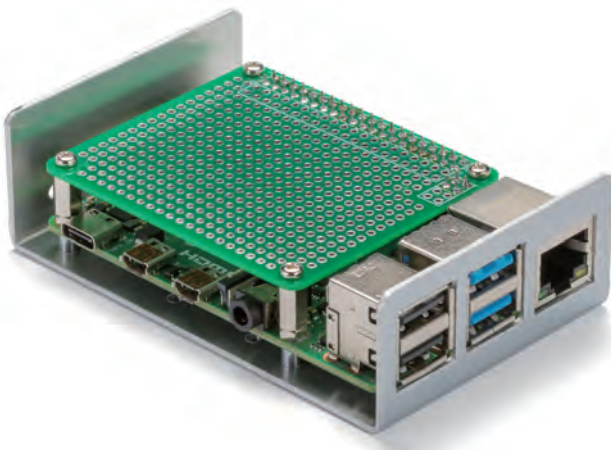
- DXF/DWG/PDF drawings available on our website.



Product no.

Product no.	Pack of
RPCB-4B	1

- Expansion PCB can also be utilized on RPI-4B and RPA series cases.
See page 132 ~ 134 for RPI series case and page 135 ~ 136 for RPA series case.



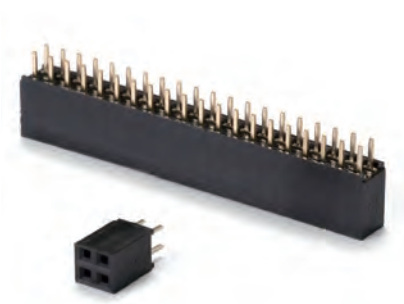
RPS series

PIN SOCKET CONNECTOR for RPCB-4B

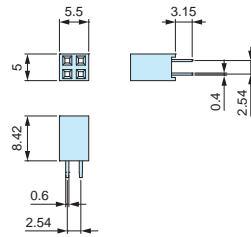


RPS dimensions

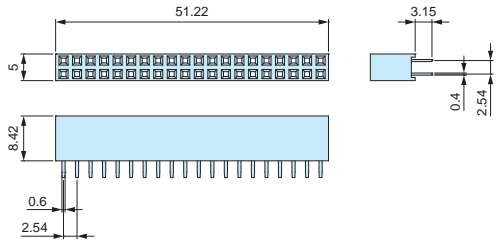
DXF/DWG/PDF drawings available on our website.



RPS2-2



RPS2-20



Material / Color : (Socket) FRPBT UL94V-0 /Black • (Pin) Phosphor bronze

2.54mm hole-to-hole pitch pin socket connector.
Utilize with RPCB-4B expansion PCB for Raspberry Pi 4B.

Product no.

Product no.	Pin layout	Pack of
RPS2-2	4 (2 pin x 2)	1
RPS2-20	40 (20 pin x 2)	1

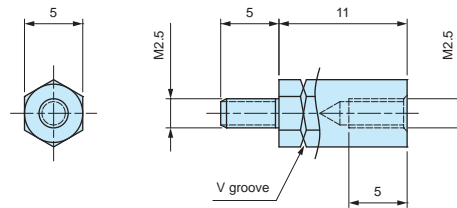
RPSP2.5-11

HEXAGONAL SPACER



RPSP2.5-11 dimensions

DXF/DWG/PDF drawings available on our website.



Material / Finish : Brass / Nickel plated

Brass hexagonal spacer with M2.5 threads on both male and female sides.
Utilize with RPCB-4B expansion PCB for Raspberry Pi 4B.

Product no.

Product no.	Pack of
RPSP2.5-11	4

MT2.5-4

MOUNTING SCREW for RPSP2.5-11



MT2.5-4 dimensions



Material / Finish : Steel / Trivalent chromate

Utilize when affixing RPCB-4B expansion PCB.

Product no.

Product no.	Pack of
MT2.5-4	4