



19" TiRAX cabinet system

from page 11



19" NETcell cabinet system

from page 65



Open 19" racks

from page 83



19" floor-standing / wall-mounted enclosure VARi IT

from page 97



Wall-mounting enclosure systems

from page 111



Air conditioning technology

from page 129



Power distribution system

from page 137



Cabinet monitoring

from page 155



Cable management

from page 163



Distribution technology

from page 169



General accessories /
distribution technology

from page 177



You can read more about products from the apra-group at www.apra-norm.com

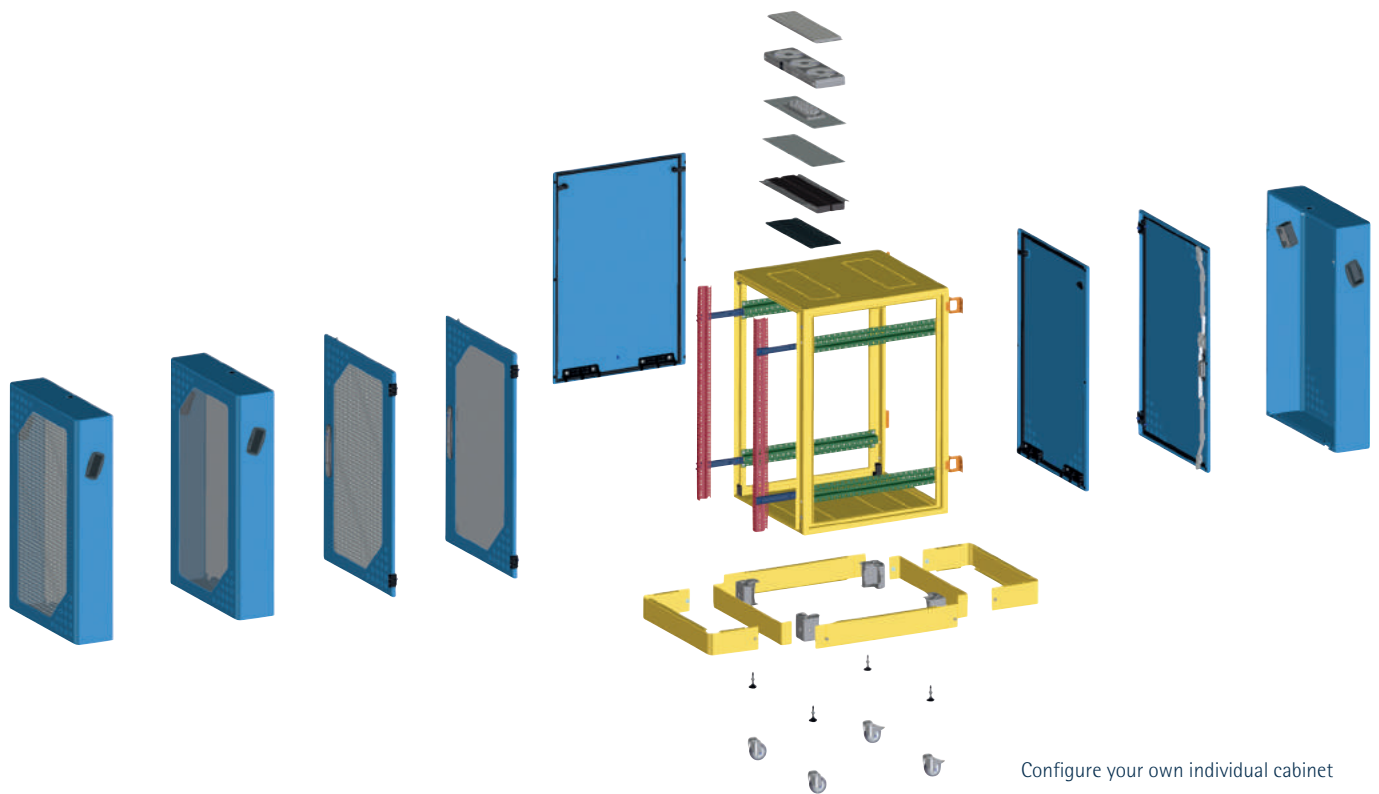


VARi IT 501

The expert for industrial and office solutions

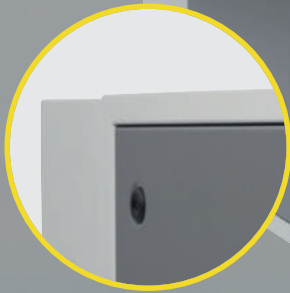
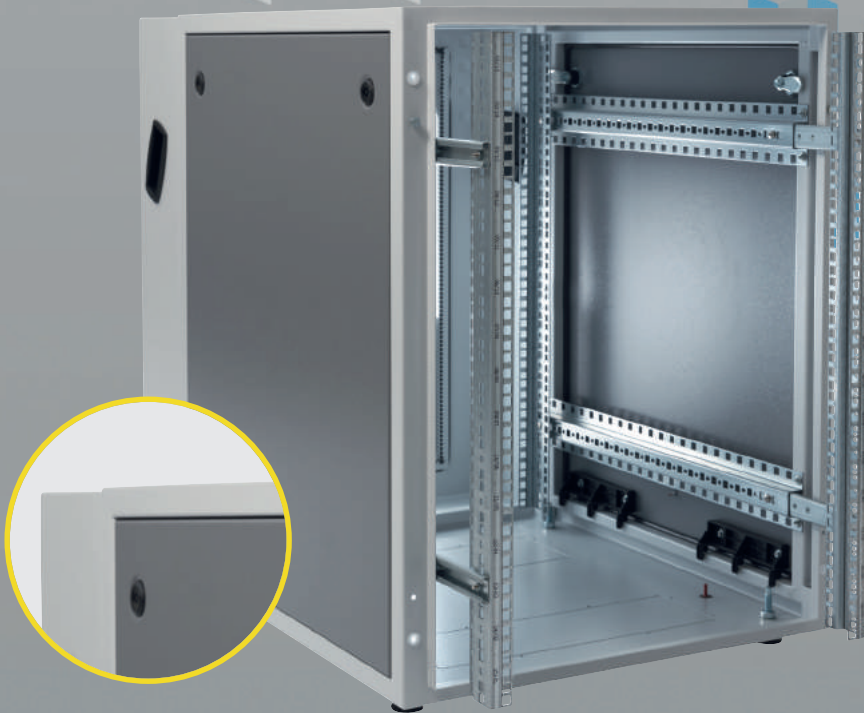
VARi IT is the flexible and visually appealing housing solution for your network applications. Removable cover parts ensure all-round accessibility and quick access to the installed 19" components. The unique option of mounting the front 19" level in combination with the use of a front cover in front of

the basic housing ensures optimum handling. The extensive portfolio of accessories and the variety of different, individually configurable housing dimensions make the VARi IT the housing for your customer-specific requirements.



VARi IT Highlights

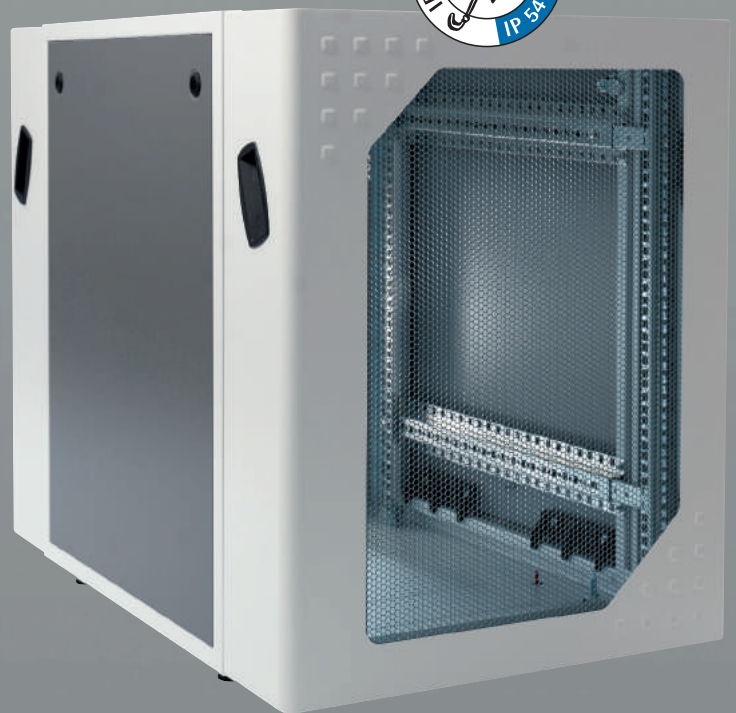
- developed for flexible Networking solutions in industrial and office applications
- available as floor-standing or wall-mounting rack
- fast and easy access due to dismantlable frame covers
- solid frame construction (welded frame)
- 19" mounting level moved to front for better access (for version with covers)
- available depths: D = 400 mm to D= 1000 mm
- pre-perforated cut-outs for easy cable entry in top & bottom
- possibility to mount fan-units in top & bottom
- door hinges interchangeable (upon request)
- doors with lever lock (profile semi cylinder optional)
- wide range of possibilities for configuration
- Protection to IP54



Two-color design



Usable as wall-mounted and free-standing distributor



flexible depth of 400 - 1000

VARi IT 501

accessible from all sides
high protection due to IP 54
flexible depth
of 400 - 1000



Wall distributor housing "400"

- Load capacity = 150 kg
- Basic housing welded, D = 400 mm
- 19 "level 9 U - 19 U, front mounted
- Glazed door with swivel lever lock
- Side walls closed
- Back wall closed
- wall mounting kit
- Cable entry in the roof and floor area possible
- Brush set for cable entry in the roof sheet / breakouts
- equipotential bonding set
- 19 "screw set M 5 (50x)

Material:

sheet metal

Finish:

Basic housing: RAL 7035 light gray

Side panels: RAL 7037 dusty gray

Delivery:

fully assembled



Dimensions H x W x D mm	U	Order no.
530 x 600 x 400	9	501-409-02
750 x 600 x 400	15	501-415-02
950 x 600 x 400	19	501-419-02

Stand distributor "700"

- Load capacity = 150 kg
- Basic housing welded, D = 700 mm
- 2x 19 "level 9 U - 19 U, mounted at the back and front
- Glazed door with swivel lever lock
- Side walls closed
- Back wall closed
- adjusting foot set
- Cable entry in the roof and floor area possible
- Brush set for cable entry in the roof sheet / breakouts
- equipotential bonding set
- 19 "screw set M 5 (50x)

Material:

sheet metal

Finish:

Basic housing: RAL 7035 light gray

Side panels: RAL 7037 dusty gray

Delivery:

fully assembled



Dimensions H x W x D mm	U	Order no.
530 x 600 x 700	9	501-709-02
750 x 600 x 700	15	501-715-02
950 x 600 x 700	19	501-719-02



Stand distributor "700"

- Load capacity = 500 kg
- Basic housing welded, D = 700 mm
- 2x 19" level 9 U - 19 U, mounted at the back and front
- Glazed door with swivel lever lock
- Side walls closed
- Back wall closed
- adjusting foot set
- Cable entry in the roof and floor area possible
- Brush set for cable entry in the roof sheet / breakouts
- potential equalisation set
- 19" screw set M 5 (50x)

Material:

sheet metal

Finish:

Basic housing: RAL 7035 light gray

Side panels: RAL 7037 dusty gray

Delivery:

fully assembled



Dimensions H x W x D mm	U	Order no.
530 x 600 x 700	9	501-709-02
750 x 600 x 700	15	501-715-02
950 x 600 x 700	19	501-719-02

Server cabinet "1000"

- Basic housing welded, D = 1000 mm
- 2x 19" level 9 U - 19 U, rear and front mounted, adjustable
- perforated hood front and back (T = 150 mm) with cam lock
- Side walls closed
- Adjusting foot set
- Cable entry in the roof and floor area possible
- Brush set for cable entry in the roof sheet / breakouts
- equipotential bonding set
- 19" screw set M 5 (50x)

Material:

sheet metal

Finish:

Basic housing: RAL 7035 light gray

Side panels: RAL 7037 dusty gray

Delivery:

fully assembled

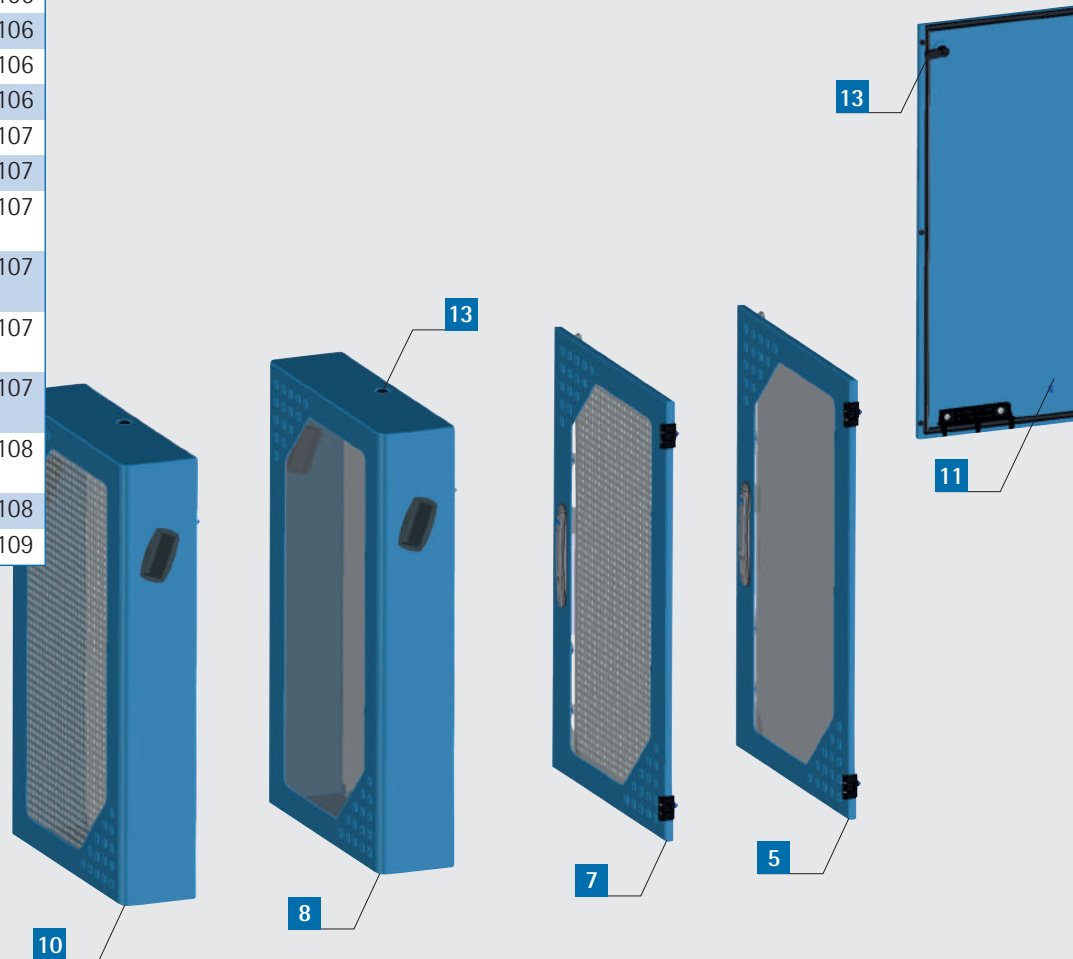


Dimensions H x W x D mm	U	Order no.
530 x 600 x 1000	9	501-709-10
750 x 600 x 1000	15	501-715-10
950 x 600 x 1000	19	501-719-10



Configure your own individual cabinet.

Item	Description	Seite
1	Base enclosure	104
2	19" vertical mounting	104
3	Reducing traverse	104
4	Reducing traverse extension	104
5	Door with safety class	105
6	Door closed	105
7	Door, perforated (83 %)	105
8	Cover with safety glass	105
9	Cover, closed	105
10	Cover, perforated (83 %)	105
11	Side wall	106
12	Rear panel	106
13	Closing systems for doors	106
14	Base	106
15	Adjusting feet (pieces)	106
16	Castor set	107
17	Wall mounting set	107
18	Brush set for flange plate opening	107
19	Cable plate with rubber insert	107
20	Cable flange plate, solid (IP 54)	107
21	Cable flange plate, ventilated	107
22	Cover panel with multi gland plate (IP 54)	108
23	Ventilation unit	108
24	Filter set	109



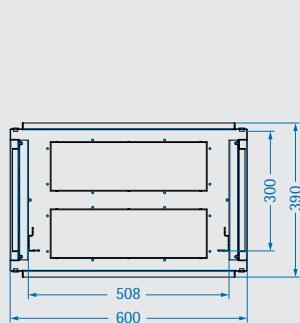


19" floor-standing / wall-mounted enclosure VARi IT • 501

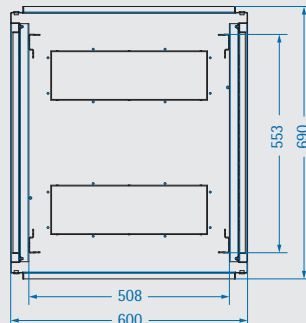


Select step by step the cabinet components you need.

Technical information: max. 19" installation dimension

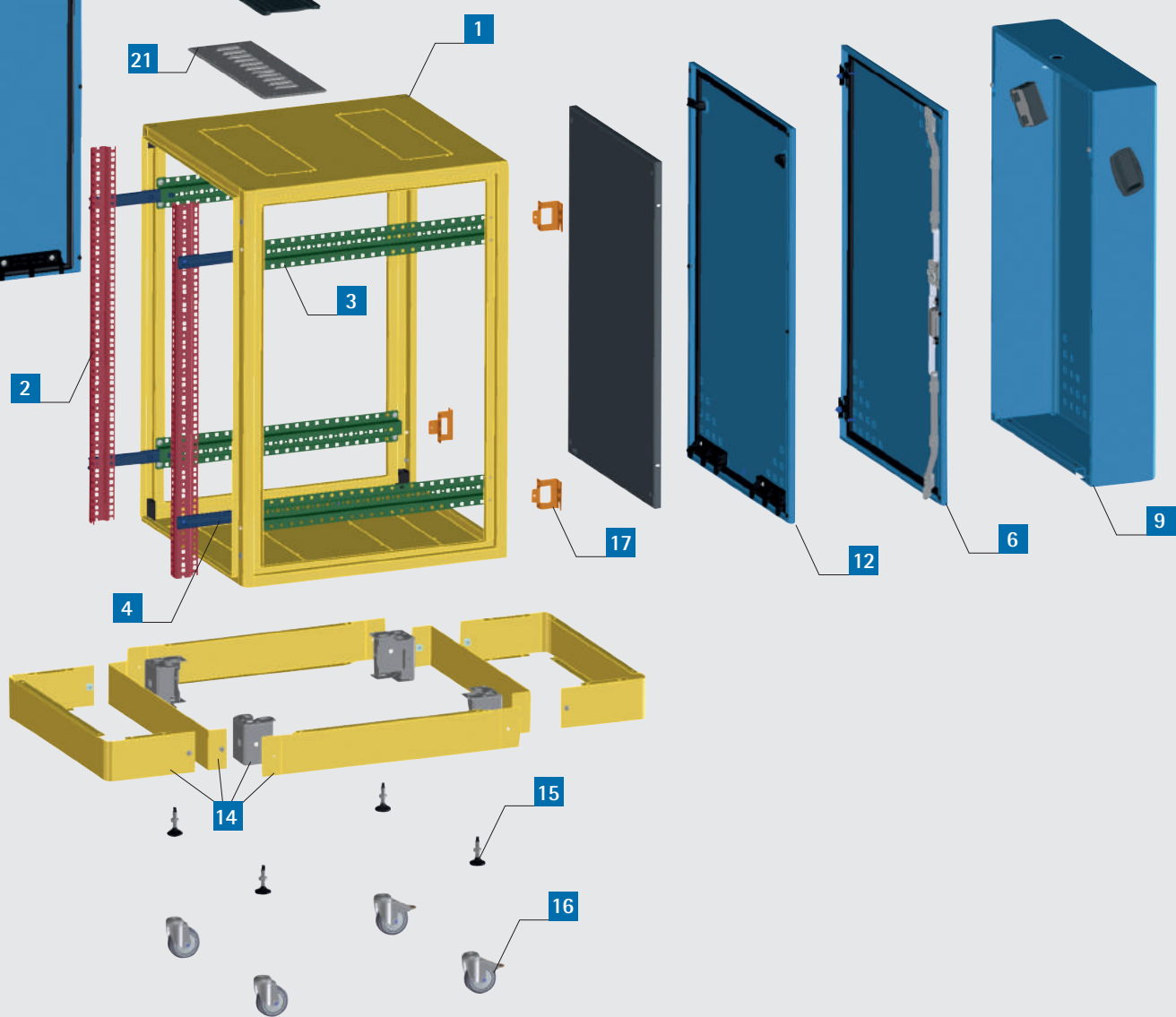


Top view cabinet rack
W x D = 600 x 400 mm



Top view cabinet rack
W x D = 600 x 700 mm

- 24
- 23
- 22
- 20
- 19
- 18
- 21





1 Base enclosure

The solid base enclosure consists of a welded frame with pre-perforated cut-outs for cable entry and ventilation units in top & bottom. Four pre-installed reducing traverses for the installation of the 19" vertical mounting frames.

Material:

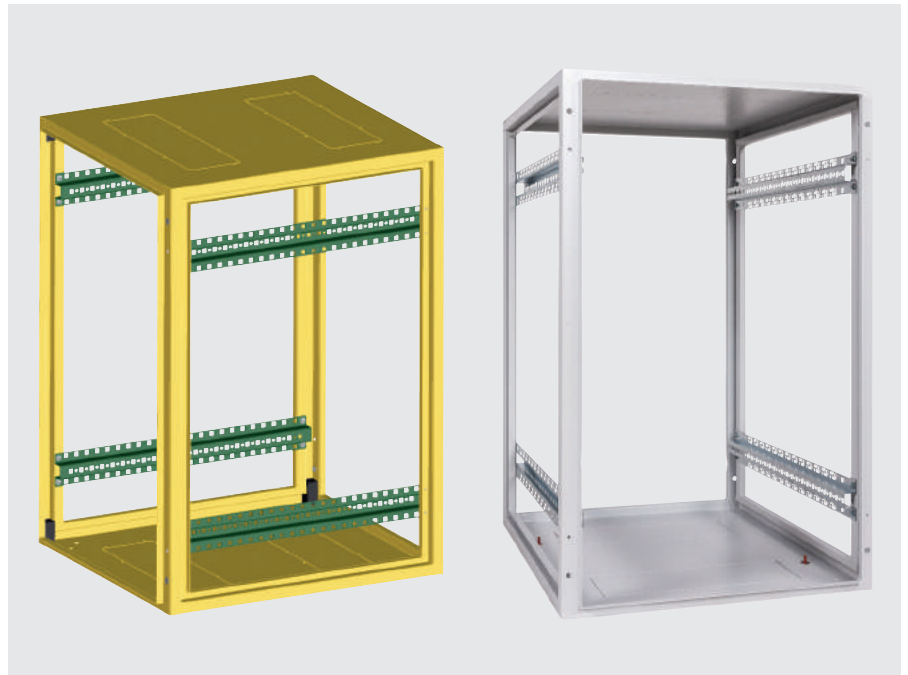
sheet metal

Finish:

RAL 7035 light grey

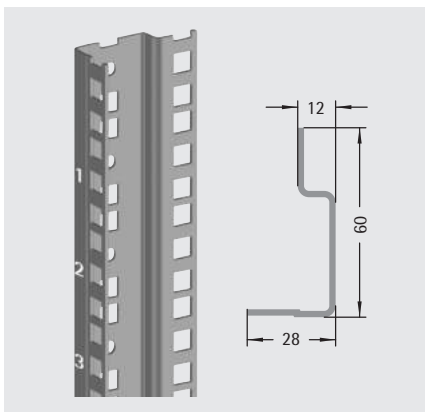
Delivery:

assembled



Dimensions (H x W x D) mm	U	Order no.
530 x 600 x 400	9	501-409-00
530 x 600 x 700	9	501-709-00
750 x 600 x 400	15	501-415-00
750 x 600 x 700	15	501-715-00
950 x 600 x 400	19	501-419-00
950 x 600 x 700	19	501-719-00

2 19" vertical mounting



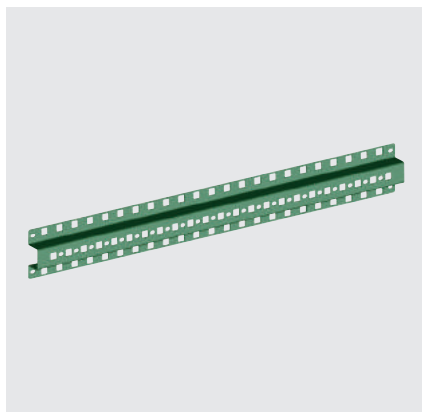
- ASA perforation
- printed U steps

Material: sheet metal

Finish: galvanised

U	Order no.
9	316-120-09
15	316-120-15
19	316-120-19

3 Reducing traverse



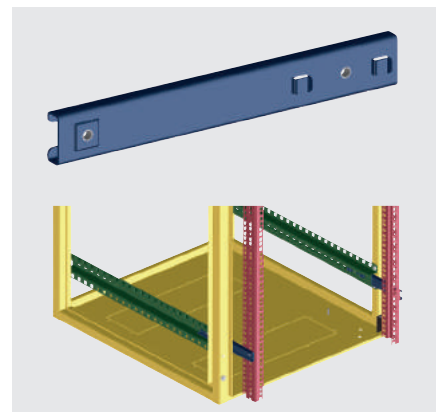
- for mounting on the base enclosure
- for variable depth installation of 19" vertical mountings

Material: sheet metal

Finish: galvanised

D mm	Order no.
400	501-002-20
700	501-002-25

4 Reducing traverse extension



- for mounting on the reducing traverse
- for variable depth installation of 19" vertical mountings

Material: sheet metal

Finish: galvanised

Order no.
501-002-30



5 Door with safety glass



- with lever lock
- optional with profile semi-cylinder (40 mm)

Material: sheet metal
Finish: RAL 7035 light grey

Dimensions (HxB) mm	U	Order no.
530 x 600	9	501-609-01
750 x 600	15	501-615-01
950 x 600	19	501-619-01

6 Door, closed



- with lever lock
- optional with profile semi-cylinder (40 mm)

Material: sheet metal
Finish: RAL 7035 light grey

Dimensions (HxB) mm	U	Order no.
530 x 600	9	501-609-02
750 x 600	15	501-615-02
950 x 600	19	501-619-02

7 Door, perforated (83%)



- with lever lock
- optional with profile semi-cylinder (40 mm)

Material: sheet metal
Finish: RAL 7035 light grey

Dimensions (HxB) mm	U	Order no.
530 x 600	9	501-609-16
750 x 600	15	501-615-16
950 x 600	19	501-619-16

8 Cover with safety glass



- with sash fastener on top (standard 5 mm double-bit)
- optional with profile lock

Material: Aluminium
Finish: RAL 7035 light grey

Dimensions (H x W x D) mm	U	Order no.
530 x 600 x 150	9	501-609-21
750 x 600 x 150	15	501-615-21
950 x 600 x 150	19	501-619-21

9 Cover, closed



- with sash fastener on top (standard 5 mm double-bit)
- optional with profile lock

Material: Aluminium
Finish: RAL 7035 light grey

Dimensions (H x W x D) mm	U	Order no.
530 x 600 x 150	9	501-609-22
750 x 600 x 150	15	501-615-22
950 x 600 x 150	19	501-619-22

10 Cover, perforated (83%)



- with sash fastener on top (standard 5 mm double-bit)
- optional with profile lock

Material: Aluminium
Finish: RAL 7035 light grey

Dimensions (H x W x D) mm	U	Order no.
530 x 600 x 150	9	501-609-26
750 x 600 x 150	15	501-615-26
950 x 600 x 150	19	501-619-26



11 Side wall



- with 2 sash fasteners (standard 5 mm double-bit)

Material:
sheet metal
Finish:
RAL 7037 dusty grey

Dimensions (HxB) mm	U	Order no.
530 x 400	9	501-409-03
530 x 700	9	501-709-03
750 x 400	15	501-415-03
750 x 700	15	501-715-03
950 x 400	19	501-419-03
950 x 700	19	501-719-03

12 Rear panel

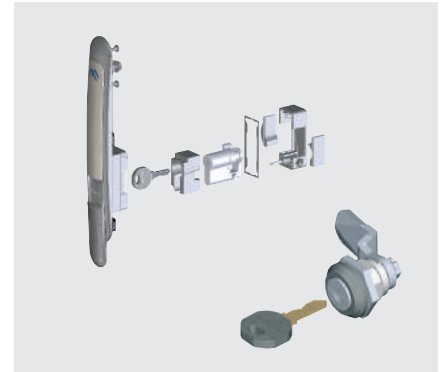


- with 2 sash fasteners (standard 5 mm double-bit)

Material:
sheet metal
Finish:
RAL 7037 dusty grey

Dimensions (HxB) mm	U	Order no.
530 x 600	9	501-609-03
750 x 600	15	501-615-03
950 x 600	19	501-619-03

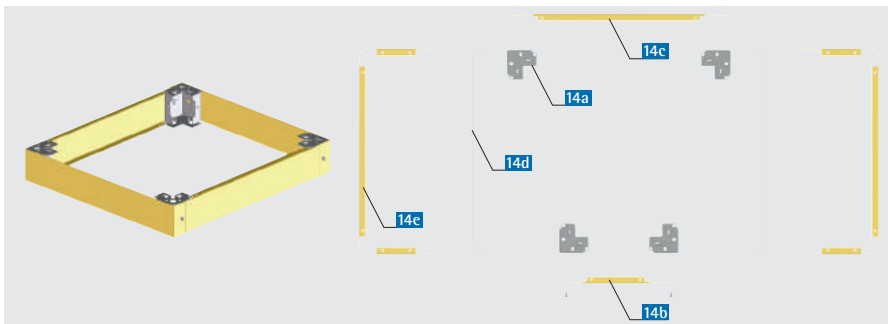
13 Closing systems for doors



- **profile semi-cylinder** L=40mm with EK 333 closing for turning lever lock on doors
- **adapter** for installing a profile semi-cylinder with L=40 mm acc. to DIN 18252
- **cylinder sash fastener** with EK333 closing for locking side walls, rear walls or covers

Description	Order no.
Profile half cylinder	676-316-00
Adapter	676-316-10
cylinder sash fastener	676-181

14 Base

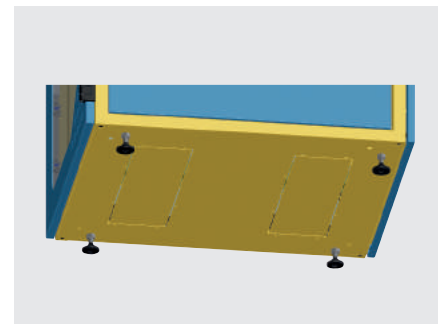


- for mounting on base enclosure
- incl. mounting material

Material:
sheet metal
Finish:
Base panels: RAL 7035 light grey
base corners: galvanised

Item	Dimensions	Size	Number of	Order no.
14a	Base corners	H = 100 mm	4 Pc.	501-100-00
14b	Base panel lateral	D = 400 mm	1 Pc.	501-100-10
14c	Base panel lateral	D = 700 mm	1 Pc.	501-100-20
14d	Base panel for door	W = 600 mm	1 Pc.	501-100-30
14e	Base panel for cover	W = 600 mm	1 Pc.	501-100-40

15 Adjusting feet (pieces)

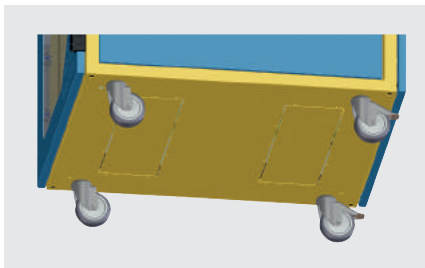


- for mounting on enclosure or base
- height 25 mm
- adjusting range approx. 20 mm
- incl. mounting material

Dimensions	Order no.
Mounting on enclosure	500-550-00
Mounting on base	318-026-02



16 Castor set

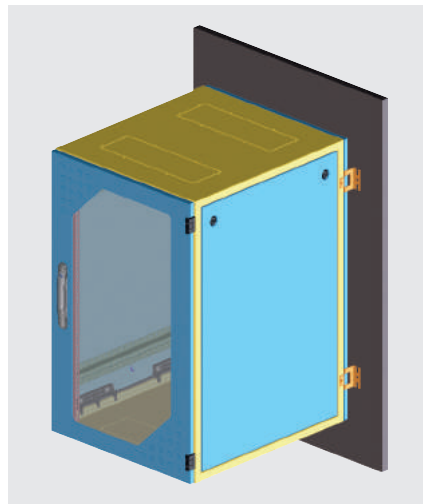


- for mounting on enclosure
- packing unit: 4 pieces (2 with brakes)
- height 105 mm
- max. load: 250 kg
- incl. mounting material

Order no.

500-330-10

17 Wall mounting set



- for mounting on enclosure
- packing unit: 4 holders
- incl. mounting material

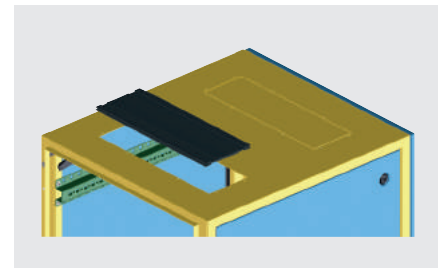
Material: sheet metal

Finish: galvanised

Order no.

501-099-00

18 Brush set for flange plate opening



- for mounting in the break-outs (top & bottom) of the enclosure
- consisting of 2 brush strips to be fixed in the break-out

Material:

TPE, PA6 UL94 HB

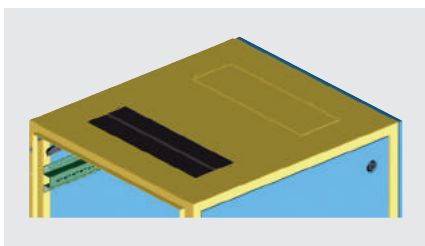
Colour

black

Order no.

316-111-10

19 Cable plate with rubber insert



- for mounting in cut-outs from inside of enclosure
- consisting of 2 clamping brackets and 2 foam profiles
- incl. mounting material

Material:

brackets: sheet metal

foam profiles: polyurethane foam
UL94 HF1

Finish:

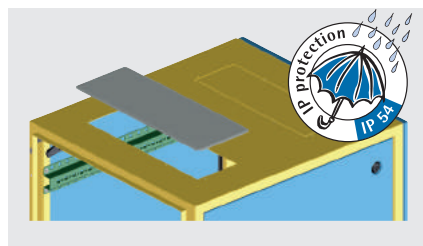
brackets: galvanised

foam profiles: anthracite

Order no.

501-002-80

20 Cable flange plate, solid



- to cover break-outs for cable entry
- completely closed incl. sealing (IP54)
- incl. mounting material

Material:

sheet metal

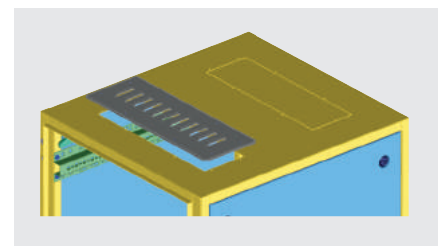
Finish:

RAL 7035 light grey

Order no.

501-002-50

21 Cable flange plate, ventilated



- to cover break-outs for cable entry
- with slots for passive ventilation
- incl. mounting material

Material:

sheet metal

Finish:

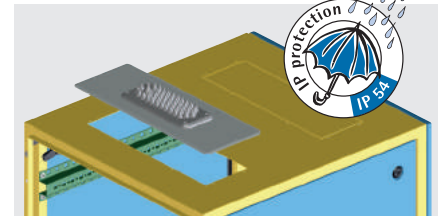
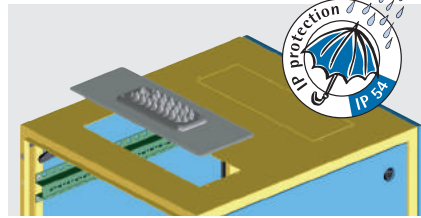
RAL 7035 light grey

Order no.

501-002-55



22a/22b Cover panel with multi gland plate



- for mounting in break-outs
- incl. multi cable gland plate for installation of different cable diameters (IP54 / see table)
- mounting material included

Material:

cover plate: sheet metal
 cable gland: reinforced plastic compound, UL94 V0

Finish:

cover: RAL 7035 light grey

Number	cable-Ø
2	3,5 - 11 mm
5	10 - 14 mm
12	14 - 18 mm
5	14 - 22 mm
1	14 - 35 mm

Number	cable-Ø
50	7 - 13 mm
1	15 - 25 mm

Description	Order no.
Cover Plate Type 1	501-002-70

Description	Order no.
Cover Plate Type 2	501-002-75

23 Ventilation unit



- pre-configured ventilation unit (plug & play)
- for mounting in break-outs in top & bottom
- different versions available (see table below)

Material:

Polycarbonate, UL94 V-0

Dimensions (H x W x D):

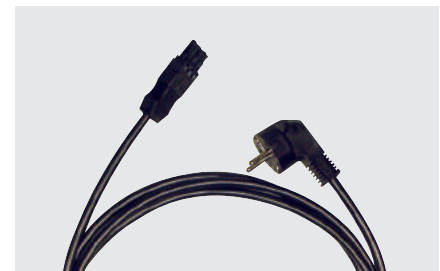
44 x 450 x 140 mm

The fan characteristics and noise levels can be found in the diagrams on page 133.

The fan module „silent“ cannot be combined with an extension module!

Description	Unimpeded air flow	Basic module	Extension module
Fan module 1-way	115 m³/h	230-500-01	230-500-11
Fan module 2-way	120 m³/h	230-500-02	230-500-12
Fan module 3-way	345 m³/h	230-500-03	230-500-13
Fan module "silent"	240 m³/h	230-500-43	-

Power cord standard, L= 3 m



Type of connection	Order no.
Earthing-pin	640-044-05
IEC connector	230-500-15
Without plug for fixed connection	230-500-16

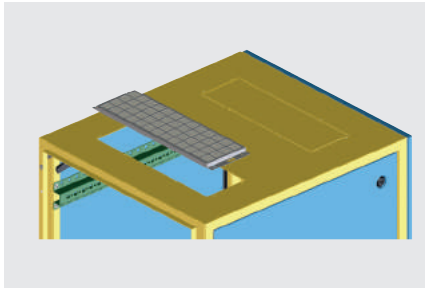
Power cord with thermostat 0-60 °C, L= 3 m



Type of connection	Order no.
Earthing-pin	230-500-04
IEC connector	230-500-05
Without plug for fixed connection	230-500-06



24 Filter set



- for mounting on the break-outs or ventilation unit
- consisting of: holder and filter fleece, incl. mounting material

Material:

frame: sheet metal

filter: polyester, fire class F1

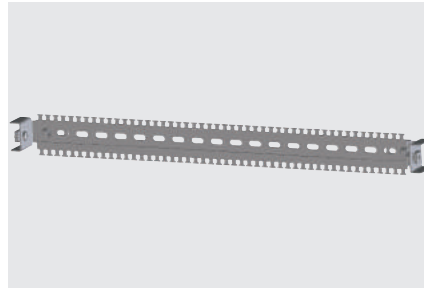
Finish:

Frame: galvanised

filter: untreated

Description	Order no.
Filter set	501-002-85
spare filters, 5x	671-200-05

Cable clamp rail set VARi IT



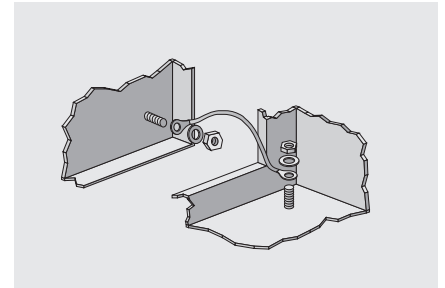
- for direct mounting on the 19" level or depth-variable (via adapter brackets) between the depth struts of the VARi IT
- for inserting clamp clips
- including mounting material

Finish:

galvanised

Order no.
501-002-35

equipotential bonding set VARi IT



- earthing in compliance to VDE
- for conductive connection of cabinet parts (cable dia. 2,5mm²)
- plug-connector on side covers, screwed connection on rack frame

Order no.
501-150-00

Document pocket



- self-adhesive
- heat-resistant up to 60 °C
- load capacity of up to 3 kg
- your company's logo can be affixed

Dimensions H x W x D:

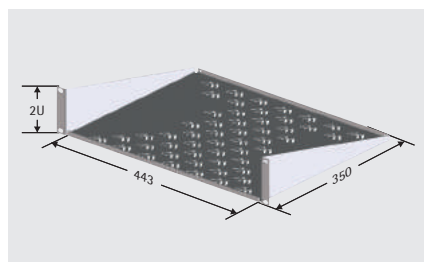
235 x 260 x 27 mm

Material:

plastic, black

Order no.
640-100

19" shelf 2U



- simple assembly on a 19" grid (only one 19" level required)
- ventilated
- Footprint: 443 x 350 mm

Material:

sheet metal

Finish:

RAL 7035 light grey

Load capacity:

15 kg (distributed load)

Dimensions (H x W x D):

2 U (88 mm) x 19" (482,6 mm) x 350 mm

Floor space (w x d):

443 x 350 mm

Order no.
315-810-20

19" Cable management panel



- for horizontal cable guiding
- incl. 4 cable hoops

Material:

sheet metal / metal

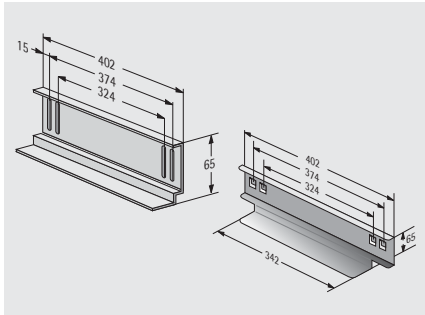
Finish:

powder coated, RAL 7035 (light grey) / chrome-plated

U	Colour	Order no.
1	RAL 7035	213-145-41
1	RAL 9005	213-145-42
2	RAL 7035	213-145-43
2	RAL 9005	213-145-44



Sliding rails (screwable / hook-in)



- for screwing/hinging into vertical mountings
- for placing heavy 19" plug-ins
- 2 vertical mountings are required for fixing
- Delivery: 1 pair

Material:

sheet metal, galvanized

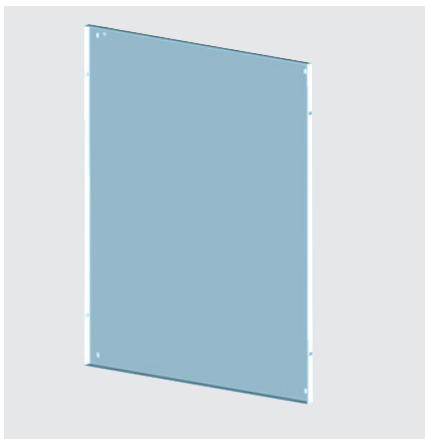
Load capacity:

50 kg

Not suitable for hoods **8 9 10**

Description	Order no.
screwable	312-544
hook-in	316-544-00

Mounting plate



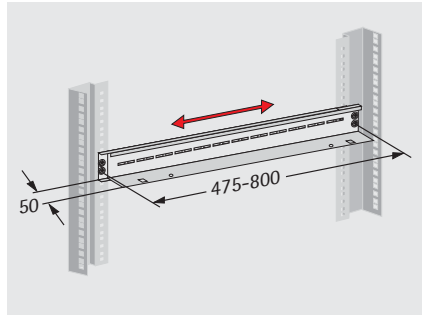
- for attaching e.g. DIN rail
- can be mounted between the depth traverses or on a 19" level

Material:

sheet metal, galvanized

U	H mm	Order no.
9	530	501-100-69
15	750	501-100-70
19	950	501-100-71

Slide rail, variable depth



- for 19" plug-in units irrespective of the clearance to the 19" levels
- depth-adjustable
- for use as of a cabinet depth of 800 mm
- Delivery: 1 pair

Material:

sheet metal 1,5 mm, galvanized

Load capacity:

50 kg

Order no.
316-544-20

Door switch kit



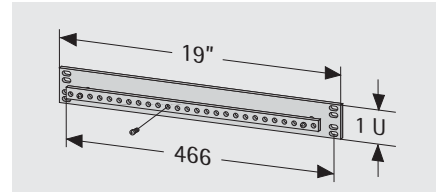
- for direct mounting at the deep trusses
- for switching on or off, e.g. cabinet lights

Delivery:

mounting material included

Order no.
501-002-37

19" potential equalisation



- for 19" or cabinet frame mounting
- connection: 27 x M 5
- cross-section: 50 mm²

Material: sheet metal, copper

Order no.
640-028-00

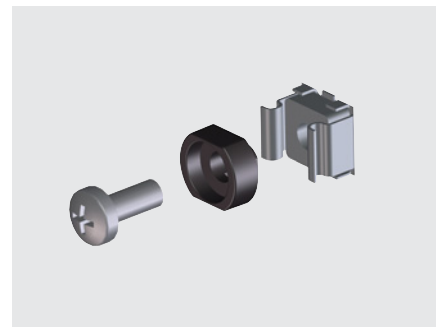
19" multiple socket 1 U



- sturdy aluminium case
- 9 sockets
- length: 440 mm
- connection line: 3 x 1,5 mm / L = 2 m
- 230 V, 50 Hz

Order no.
591-400-00

Screw set M 5 / 6 (50x)



- necessary for mounting of 19" components into racks or enclosures
- included in delivery:
 - 50 oval head screws M 5 x 12
 - 50 cage nuts M 5 - 8
 - 50 decorative washers M 5

Material:

steel, polyamide

Description	Order no.
Screw set M 5	630-991
Screw set M 6	630-994
Torx M6	350-001-20