



The enclosure for mobile application

apraLITE



19" enclosure system **apraLITE**

- light, practical aluminium enclosure
- side flip-up handles standard
- protection system IP 30/20
- 1/2 19" version available
- dismantlable
- quick assembly using few screws
- installation dimensions acc. to IEC 60297-3-100

19" enclosure system 179 apraLITE is ideal for mobile use. The light construction and built-in flip-up handles allow easy transportation of this enclosure. Only a few screws are used so, it can be assembled and dismantled quickly.

Matching 19" plug-in units

page 65

Matching 19" subracks

page 79



19" enclosure system apraLITE

Application:

19" plug-in units, shelves and 19" sub-racks can be installed in the enclosure.

Construction:

the enclosure has a simple construction based on side panels with built-in vertical mountings and top and bottom covers that can be assembled quickly.

Finish: RAL 7035 light grey

Protection system:

IP 30: not ventilated

IP 20: ventilated

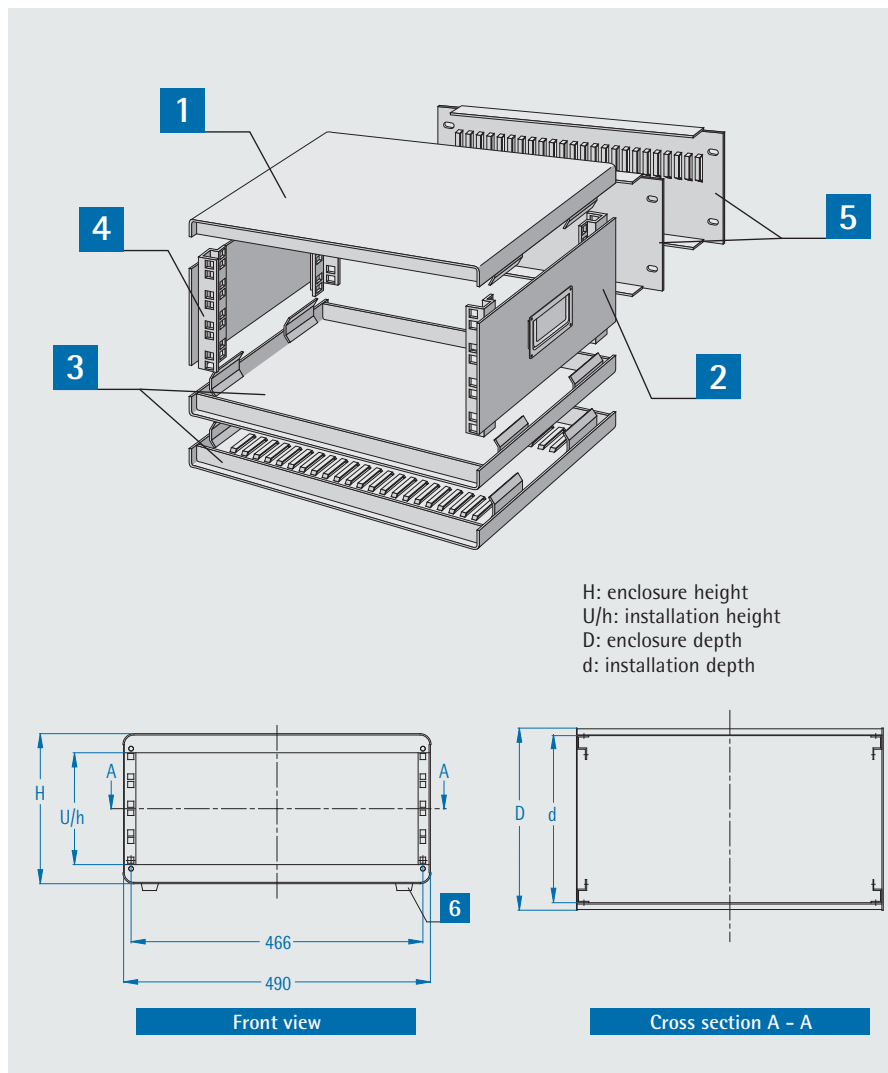
Delivery: not assembled

Standard:

installation dimensions acc. to IEC 60297-3-100

Delivery

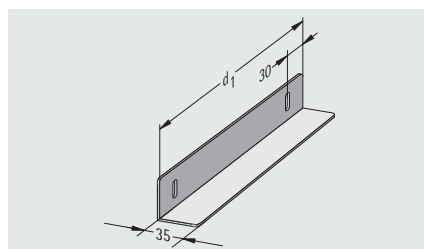
| Item | Pc. | Description |
|------|-----|---|
| 1 | 1 | Top panel |
| 2 | 2 | Side panels with handle |
| 3 | 1 | Bottom panel (ventilated/not ventilated) |
| 4 | 4 | Vertical mountings (integrated in side panel) |
| 5 | 1 | Rear panel (ventilated/not ventilated) |
| 6 | 4 | Enclosure feet |
| 7 | | Assembly material |



| Installation height U | Enclosure height h mm | Enclosure height H mm | 19" enclosure, ventilated in rear and bottom panel | | | 19" enclosure, not ventilated | | | 1/2 19" enclosure, not ventilated | |
|--------------------------|--------------------------|--------------------------|--|----------------------|----------------------|-------------------------------|----------------------|----------------------|-----------------------------------|----------------------|
| | | | d=270 mm D=290 mm | d=370 mm D=390 mm | d=470 mm D=490 mm | d=270 mm D=290 mm | d=370 mm D=390 mm | d=470 mm D=490 mm | d=270 mm D=290 mm | d=370 mm D=390 mm |
| 3 | 132,5 | 194,5 | 179-283 | 179-383 | 179-483 | 179-223 | 179-323 | 179-423 | 179-823 | 179-923 |
| 4 | 177 | 239 | 179-284 | 179-384 | 179-484 | 179-224 | 179-324 | 179-424 | 179-824 | 179-924 |
| 5 | 221,5 | 283,5 | 179-285 | 179-385 | 179-485 | 179-225 | 179-325 | 179-425 | 179-825 | 179-925 |
| 6 | 266 | 328 | 179-286 | 179-386 | 179-486 | 179-226 | 179-326 | 179-426 | 179-826 | 179-926 |
| 9 | 399 | 461 | 179-289 | 179-389 | 179-489 | 179-229 | 179-329 | 179-429 | 179-829 | 179-929 |
| 12 | 534 | 596 | 179-292 | 179-392 | 179-492 | 179-232 | 179-332 | 179-432 | - | - |
| 15 | 668 | 730 | 179-295 | 179-395 | 179-495 | 179-235 | 179-335 | 179-435 | - | - |
| 18 | 801 | 863 | 179-298 | 179-398 | 179-498 | 179-238 | 179-338 | 179-438 | - | - |

Sliding rails

| Description | Installation depth d1 | Order no. |
|--------------|-----------------------|-----------|
| for D=290 mm | 240 mm | 179-006 |
| for D=390 mm | 340 mm | 179-007 |
| for D=490 mm | 440 mm | 179-008 |



Screw set M 5 (50-fold)

- 50 screws, M5 x 12
- 50 captive nuts, M5-8
- 50 decorative washers, M5 with collar

| Order no. |
|-----------|
| 630-991 |