



Ruggedized subrack „apra R-TYPE“

- high shock and vibration resistance
- front and rear IO (160 mm / 80 mm)
- 21 x 4 HP slot type A
- possible thickness of PCB 1.4 to 2.6 mm
- 19" brackets in the rear for mounting on the rear 19" level
- additional brackets for mounting with central balance point

Application:

for plug-in components acc. to IEC 60297-3-108, but no cassettes or sub units possible

Material:

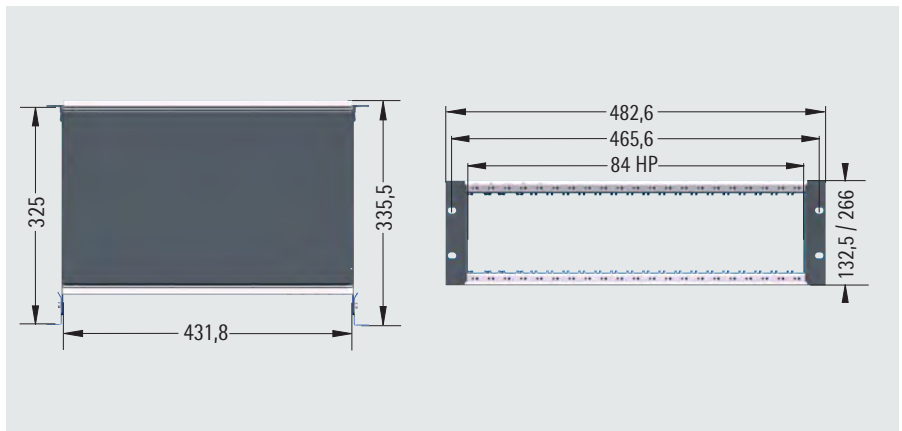
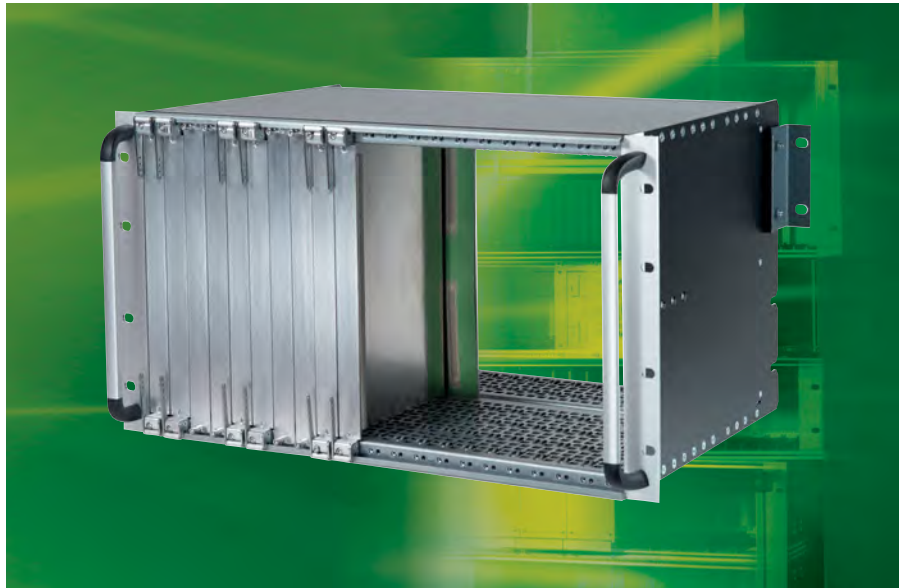
sheet steel / aluminium

Finish:

RAL 9010 / zined

Delivery:

kit form, unmounted

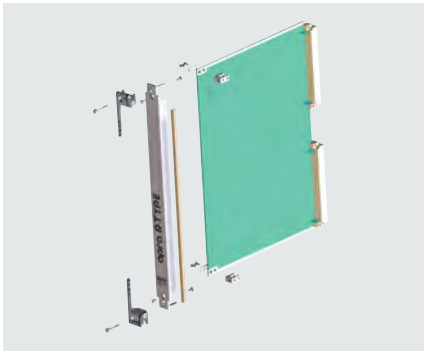


HP	U	Order no.
84	3	245-318-00
84	6	245-618-00

Other configurations on request!



Plug-in module R-Type



- screwed to plug-in component or blind panel/ subrack by M 3
- screwed to PC board/ front panel (3 U and 6 U) by 4 x M 2.5
- type A or B possible by turning the PC board fixing
- injector/ extractor handle for maximum front panel utilisation
- centring by advanced pin
- unilateral fabric gasket for EMC shielding
- PC board thickness 1.4 to 2.6 mm

Blind panel 4 HP



Delivery

Item	Description
1	Blind panel
2	EMC fabric gasket
3	Assembly material

U	Order no.
3	245-318-05
6	245-618-05

Front panel 4 HP

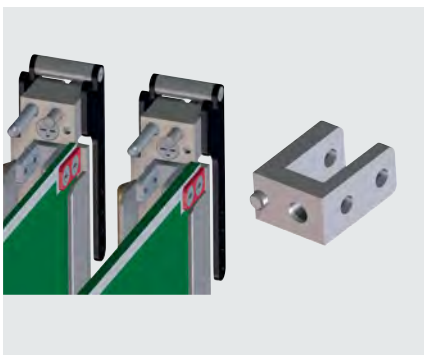


Delivery

Item	Description
1	Front panel
2	Handle (top)
3	Handle (bottom)
4	EMC fabric gasket
5	PCB mounting bracket
6	Assembly material

U	Order no.
3	245-318-10
6	245-618-10

PCB mounting bracket



- slot version type A and type B
- type A = type A, but 0,5 HP offset

Application:

for PCB acc. to IEC 60297-3-108

Material:

aluminum

Finish:

conductive

Delivery:

kit form, unmounted