



- durable light weight steel construction
- 19" installation dimensions acc. to IEC 60297-3-100
- individual machining of plug-in unit and front panel acc. to customer demands
- suitable for telescoping rails

Aluminium profile front panel:

- no front brackets needed for 19" installation
- bow-type handles: bright chrome

Rear panel:

- recessed to protect connectors and plugs
- M4 earthing connection included

Ventilation:

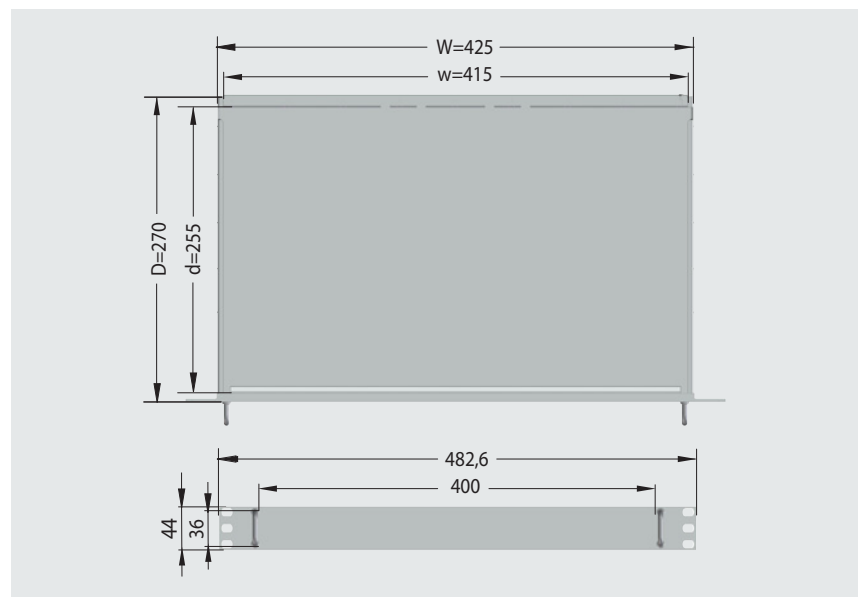
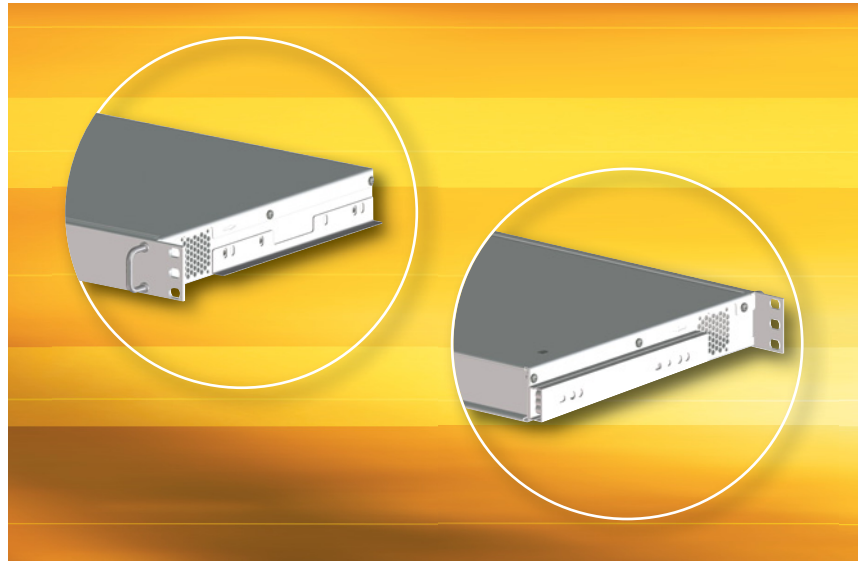
- passive ventilation
- subsequent mounting of fan unit easily possible

Material / Finish:

Chassis, rear panel, cover:
sheet metal, galvanised
Front panel:
aluminium, chromated

Delivery: mounted

Other depths available on request!



Delivery

| Item | pc. | Description |
|------|-----|-------------------|
| 1 | 1 | Chassis |
| 2 | 1 | Rear panel |
| 3 | 1 | Front panel |
| 4 | 1 | Cover |
| 5 | | Mounting material |

| Order no. |
|------------|
| 269-801-00 |

apra-gerätebau GmbH Chemnitz

Südstraße 15 · Gewerbegebiet Süd · D-09221 Neukirchen · Phone: +49 (0) 371 / 28 12 4-0
email: vertrieb@apra-geraetebau.de · www.apra-geraetebau.de

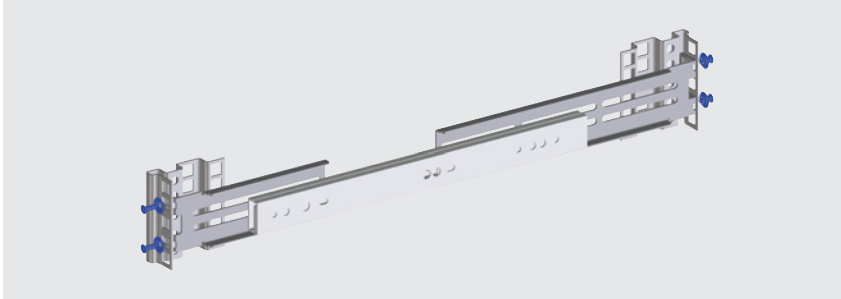
Subject to technical modifications

20.07.2017

140

Accessories

Telescopic rail set

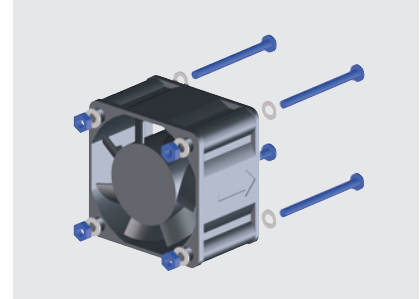


- set includes 1 pair of telescopic rails and mounting material
- suitable for 600 mm deep cabinets with rear 19" level
- full extension
- interlocking when extended

Load capacity: 32 kg per pair

| |
|------------------------|
| Order no. (set) |
| 680-085-00 |

Fan kit 12V



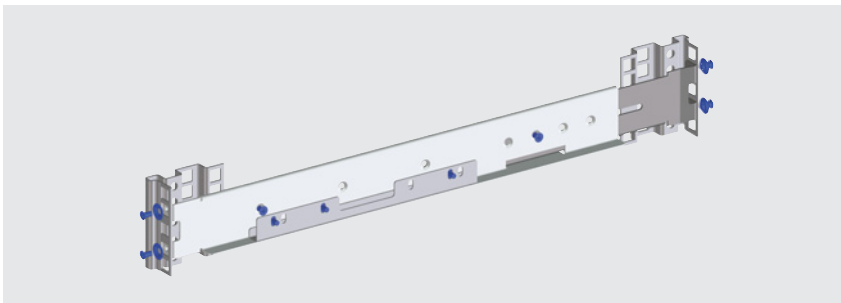
- connected to motherboard, speed-monitored
- mounting material included
- other fans available on request

Dimensions:

40 x 40 x 25 mm

| |
|------------------|
| Order no. |
| 269-801-30 |

Sliding rail set



- set includes 1 pair of sliding rails and mounting material
- suitable for 600 mm - 800 mm deep cabinets with rear 19" level
- pulls out from 450 mm to 700 mm

| |
|------------------|
| Order no. |
| 269-801-20 |

apra-gerätebau GmbH Chemnitz

Südstraße 15 · Gewerbegebiet Süd · D-09221 Neukirchen · Phone: +49 (0) 371 /28 12 4-0
email: vertrieb@apra-geraetebau.de · www.apra-geraetebau.de

Subject to technical modifications