



**apRaspi A/S:** aluminium/sheet steel

**apRaspi P1/P2/P3:** plastics

The new enclosures series **apRaspi** offers the possibility to wrap mini PC boards chick and functional – either with the standard types for Raspberry Pi (see chart) or for related boards like Arduiono or Banana Pi – individuality is our strength!

Each enclosure may be modified to customer's request. You need additional contacts or cards, fixing possibilities or supports – no problem! Further more, threaded bolts and pins as well as special colours and printing are possible. **Just ask us!**

#### Composition:

Enclosure consists of 2 half shells which can be easily stuck together

#### Material:

- apRaspi A:** aluminium 1mm
- apRaspi S:** sheet steel 1mm
- apRaspi P1:** ABS/aluminium brush
- apRaspi P2/P3:** polystyrene

#### Finish:

- apRaspi A/S:** powder coated black + blue\*
- apRaspi P1:** fine structure black + aluminium brush
- apRaspi P2/P3:** fine structure blue + grey\*

#### Dimensions (W x H x D):

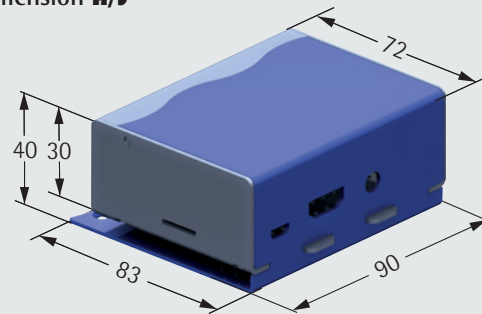
- apRaspi A/S:** 90 x 40 (30) x 83 (72) mm
- apRaspi P1/P2/P3:** 116 (97) x 31 x 63,5 mm

#### Accessories:

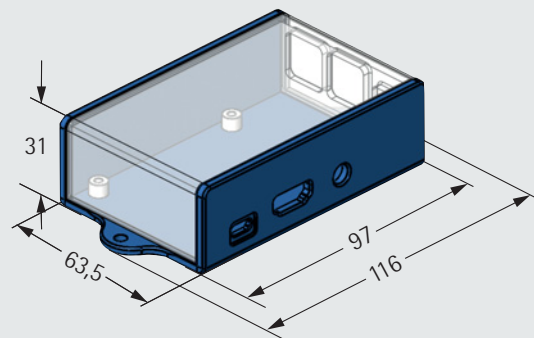
threaded pins (apRaspi A / S), spacer bolts for tapping screws (apRaspi P1/P2/P3), mounting material

\*other colour combinations available on request!

#### Dimension A/S



#### Dimension P1/P2/P3



Description	Order no.
<b>apRaspi A</b>	205-480-05
<b>apRaspi S</b>	205-480-00
<b>apRaspi P1</b>	4192-744-00
<b>apRaspi P2/P3</b>	4192-745-00

## apra-norm Elektromechanik GmbH

Bei der untersten Mühle 5 · D-54552 Mehren/Vulkaneifel  
 Phone: +49 (0) 65 92 204-0 · Fax: +49 (0) 65 92 204-158 · sales@apra.de · www.apra-norm.com

Subject to technical modification

03.05.2017

138



# Looking for the perfect enclosure for your Maker Boards? Here it is!



## Customised enclosures for Raspberry Pi, Arduino & Co. made of plastics - without tooling costs!

It's done! Your project with Asus Tinker, Arduino, Raspberry Pi or Banana Pi is finally ready - what now? Where to find the matching enclosure?

**apra provides you with enclosures for standard boards made of metal (aluminium and sheet metal) or plastics.**

We'll also support you with solutions for more sophisticated tasks like the installation of Extension Boards, cameras and displays.

Whereas a single piece solution is usually too expensive, things get interesting **at a lot size of only 50 pieces**: you tell us which components will be installed and we design and build the suitable enclosure made of plastics - without tooling costs! See how it's done:



Be creative with a variety of possible colours, shapes and materials. Just send us your sketches and data sheets - and let us do the rest.

The following animation illustrates the setup of our "apRaspi" enclosure:



**Any questions? We'll be glad to advise you!**

**Your contact:**

**Kai Gayer**

**Tel. +49 (0)6592 / 9502-33  
k.gayer@apra-plast.de**



**apra-plast Kunststoffgehäuse-Systeme GmbH**

Hamsterweg 9 · D-54550 Daun-Pützborn

Tel.: (+49 (0) 6592 9502-0 · [vertrieb@apra.plast.de](mailto:vertrieb@apra.plast.de) · [www.apra-plast.de](http://www.apra-plast.de)

Subject to technical modification

03.05.2017

138



**... the perfect shell for valuable electronics**