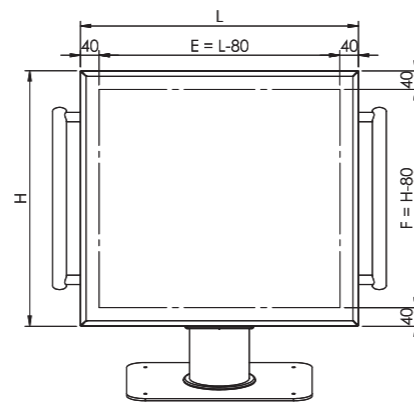
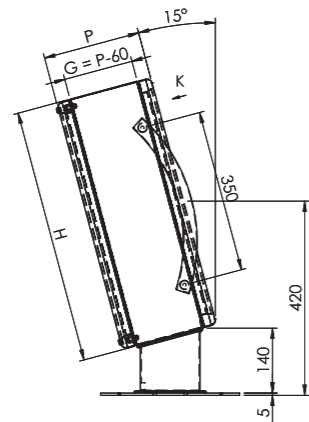
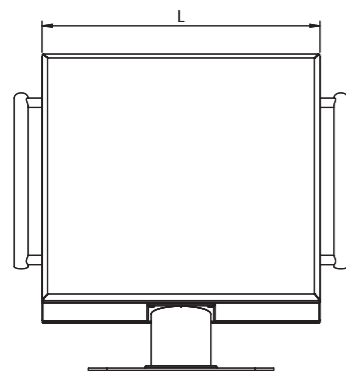


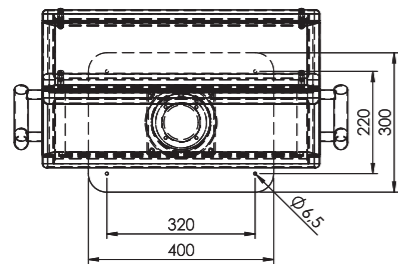


PULPITS FOR INTERACTIVE TERMINALS MODEL NEWTON

Control consoles in AISI 304 stainless steel. Internally screwed front case; externally screwed rear case. Two side handles. 5 mm (0.20") thick stainless steel base with swivel joint.



VIEW K



TECHNICAL DESCRIPTION

Type of steel: AISI 304 (Wnr 1.4301) Scotch-brite
Thickness: 1.5 mm (0.06") - 5 mm (0.20") base
Rear door: screwed

CUSTOMIZATION POSSIBILITIES

Dimensions: adaptable on request*

Thickness: adaptable on request*

Material: AISI 316L (Wnr 1.4404)

Finishes: SN Coarse brushed

Gasket: silicone*

* Check when placing order



Model	Code	External dimensions						Kg	m ³	Dimensions of internal mounting plate (on request)				Drill size (front/rear case)				Usable depth	
		W		H		D				A		B		E		F		G	
		mm	in.	mm	in.	mm	in.			mm	in.	mm	in.	mm	in.	mm	in.	mm	in.
NEWTON	013460070	600	23.62	550	21.65	210	8.27	24,0	0,2	535	21.06	510	20.08	520	20.47	470	18.50	150	5.91

