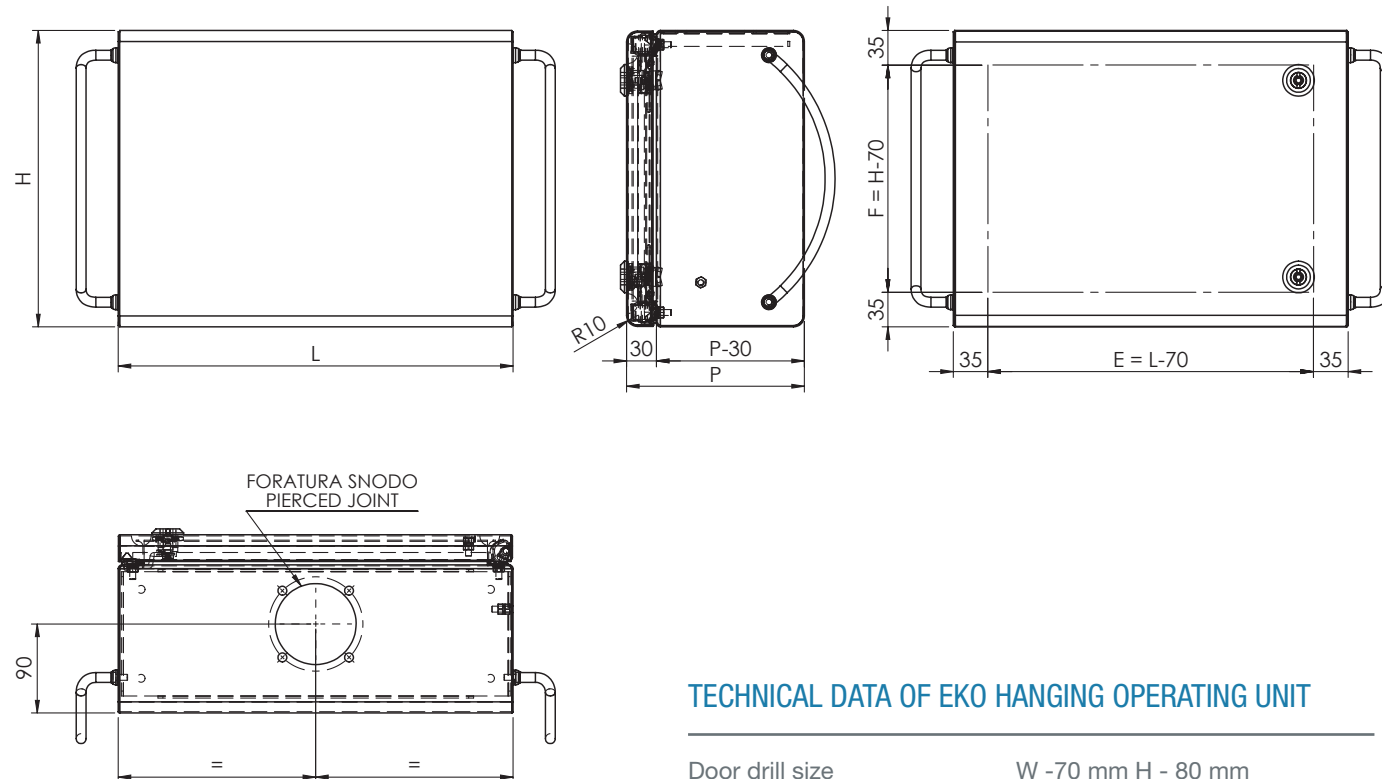




## OPERATING UNIT MODEL EKO HANGING

Movable control panel in AISI 304 stainless steel (Wnr 1.4301) with a rounded profile, prepared for installation onto a swing arm. Hinged rear door with 145° left opening with chromed Zamak locks. Two side handles. Without internal mounting plate. IP 66 protection rating.



### TECHNICAL DATA OF EKO HANGING OPERATING UNIT

Door drill size	W - 70 mm H - 80 mm (W - 2.75" H - 3.15")
-----------------	--

L = W (width)    H = H (height)    P = D (depth)



OPERATING UNIT MODEL  
EKO HANGING

SIDE HANDLES

EASY LIFT SWING ARM

EXAMPLE OF EKO HANGING  
OPERATING UNIT MOUNTED  
ON MO.VI SWING ARM



### TECHNICAL DESCRIPTION

<b>Type of steel:</b> AISI 304 (Wnr 1.4301) Scotch-brite
<b>Thickness:</b> 1.2 mm (0.04")
<b>Door:</b> solid
<b>Door fixing:</b> hinges
<b>Front profiles:</b> 10 mm (0.39") radius
<b>Side handles:</b> included
<b>Gasket:</b> polyurethane
<b>Internal mounting plate:</b> not included
<b>Locking system:</b> 3 mm (0.11") AISI 304 stainless steel (Wnr. 1.4301) lock with double bit insert

### CUSTOMIZATION POSSIBILITIES

Dimensions: adaptable on request\* (on 10 mm / 0.39" step)

Minimum depth  
according to joint type: 150 mm/160 mm (5.90" / 6.29")

Thickness: adaptable on request\*

Material: AISI 316L (Wnr 1.4404)

Finishes: SN Coarse brushed - BA Polished\*

Gasket: silicone

Handles

Arrangement for MO.VI swing arm application

\* check when placing order

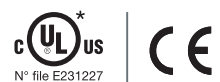
### ON REQUEST

Internal mounting plate in FeZn 25/10 or stainless steel (specify desired position of the mounting plate (on the front or the door))

MO.VI swing arm

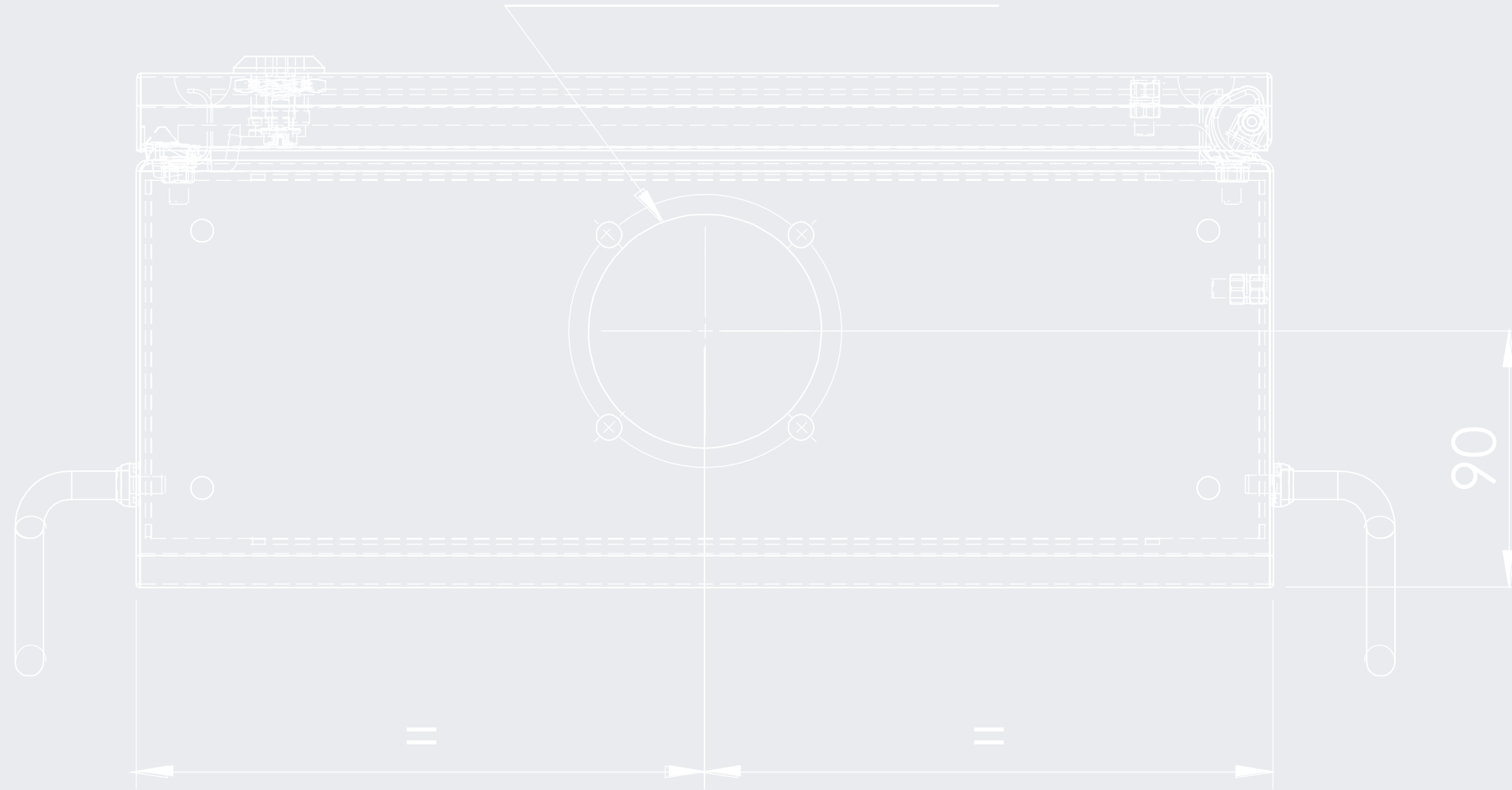
Other arm types available

CERTIFICATIONS:  
see summary table



\* UL certification on request

# FORATURA SNODO PIERCED JOINT



## OPERATING UNIT MODEL EKO HANGING

Model	Code	External dimensions						Kg*	No. hinges	No. closing points	Door drill size				Certification				Model
		W		H		D					E		F		IP 66 IK 10	IP 69K	UL type 1,12,4,4x	EX 3G 3D	
		mm	in.	mm	in.	mm	in.				mm	in.	mm	in.					
EKO HANGING 30 30 18	EP0300300180001	300	11.81	300	11.81	180	7.09	5,6	2	2	220	8.66	220	8.66	√	on request	on request	on request	EKO HANGING 30 30 18
EKO HANGING 40 30 18	EP0400300180001	400	15.75	300	11.81	180	7.09	6,8	2	2	320	12.60	220	8.66	√	on request	on request	on request	EKO HANGING 40 30 18
EKO HANGING 40 40 18	EP0400400180001	400	15.75	400	15.75	180	7.09	8,3	2	2	320	12.60	320	12.60	√	on request	on request	on request	EKO HANGING 40 40 18
EKO HANGING 50 40 18	EP0500400180001	500	19.69	400	15.75	180	7.09	9,3	2	2	420	16.54	320	12.60	√	on request	on request	on request	EKO HANGING 50 40 18
EKO HANGING 60 40 18	EP0600400180001	600	23.62	400	15.75	180	7.09	13,0	2	2	520	20.47	320	12.60	√	on request	on request	on request	EKO HANGING 60 40 18
EKO HANGING 40 50 18	EP0400500180001	400	15.75	500	19.69	180	7.09	9,3	2	2	320	12.60	420	16.54	√	on request	on request	on request	EKO HANGING 40 50 18
EKO HANGING 50 50 18	EP0500500180001	500	19.69	500	19.69	180	7.09	11,8	2	2	420	16.54	420	16.54	√	on request	on request	on request	EKO HANGING 50 50 18

\* Net weight without packing material