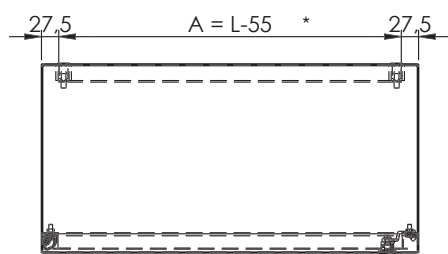
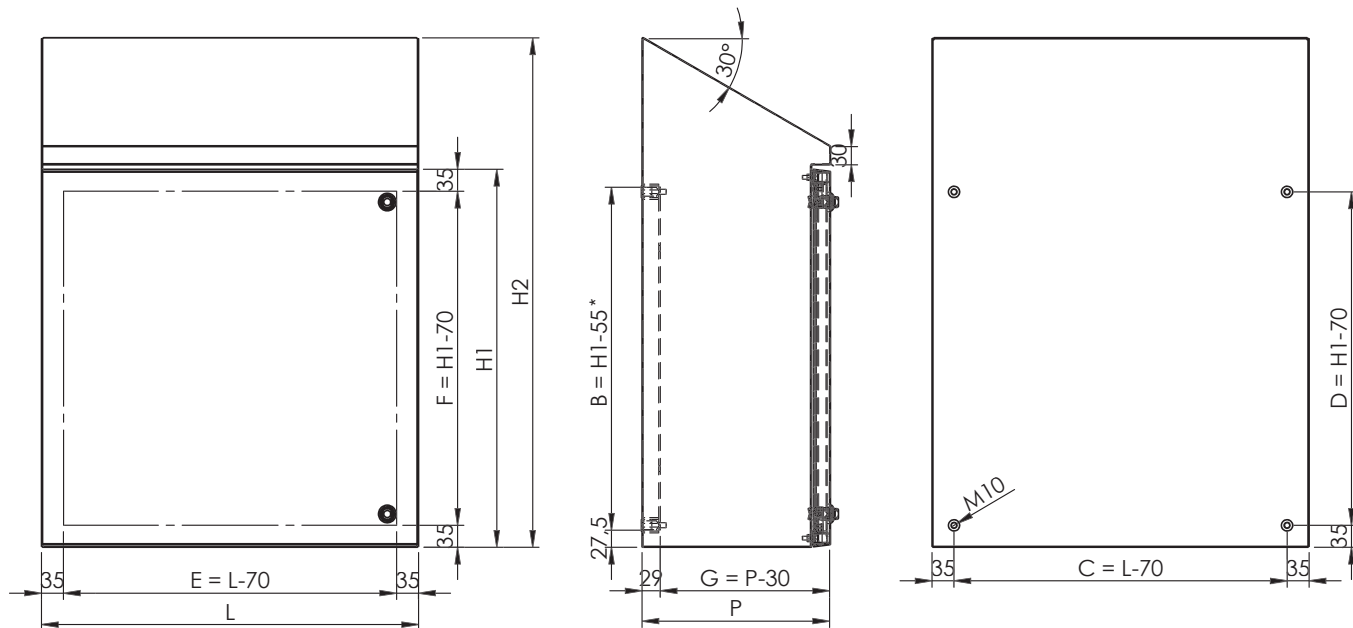




ENCLOSURE WITH SLOPING ROOF MODEL EKOH

Enclosure in AISI 304 stainless steel (Wnr 1.4301). Hinged solid door with sloping edges, complete with "Hygienic" lock in AISI 316 stainless steel. Door opening: 145° with hinges on the left. Easy-cleanable sloping roof prevents objects from being placed on top of the enclosure. Internal mounting plate 25/10 FeZn. IP 66 protection rating.



TECHNICAL DATA OF EKOH ENCLOSURE

Internal mounting plate	W - 55 mm H - 55 mm*	(W - 2.17" H - 2.17"*)
Door drill size	W - 70 mm H - 70 mm	(W - 2.76" H - 2.76")
Usable depth	D - 20 mm	(D - 0.79")

L = W (width) H = H (height) P = D (depth)

*for enclosures with height greater than or equal to 1000 mm A=W-45 mm (1.77").
For enclosures with width greater than 1000 mm B=H-45 mm (1.77").



EKOH ENCLOSURE
30° SLOPING ROOF
HYGIENIC LOCKING SYSTEM

TECHNICAL DESCRIPTION

Type of steel: AISI 304 (Wnr 1.4301) Scotch-brite
Thickness: 1.2 to 1.5 mm (0.04" to 0.05") according to enclosure dimensions
Door: solid
Door fixing: hinges
Back fixing: M10 bushings
Roof: 30° sloping
Gasket: polyurethane
Internal mounting plate: included, FeZn 25/10
Locking system: AISI 316 stainless steel lock

CUSTOMIZATION POSSIBILITIES

Dimensions: adaptable on request* (on 10 mm / 0.39" step)

Thickness: adaptable on request*

Material: AISI 316L (Wnr 1.4404)

Finishes: SN Coarse brushed - BA Polished*

Gasket: silicone

Back fixing: studs

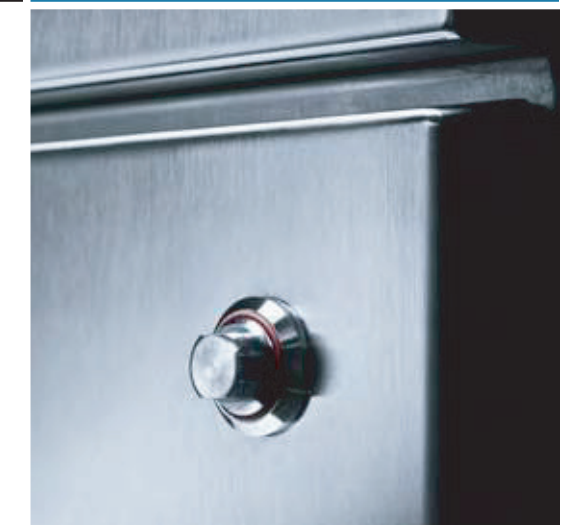
Roof available with different inclination angles

* check when placing order

ON REQUEST

Stainless steel internal mounting plate

Standard locks in chromed Zamak or stainless steel

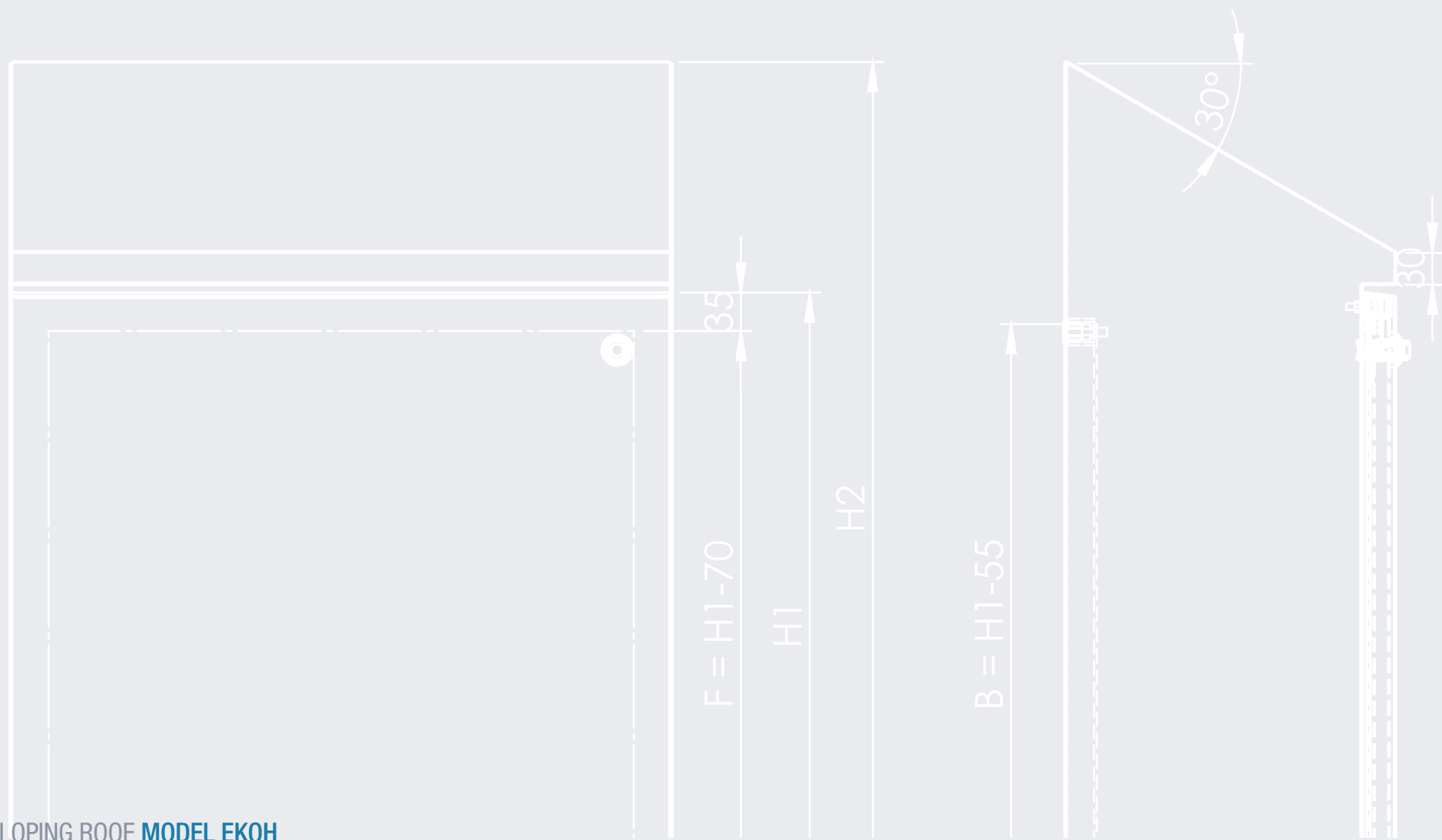


CERTIFICATIONS:
see summary table



* UL certification on request

IRINOX
Inside your needs



ENCLOSURE WITH SLOPING ROOF **MODEL EKO**

Model	Code	No. doors	External dimensions								Kg*	Mounting plate dimensions				Centre to centre distance between rear bushings				No. bushings	No. hinges	No. closing points	Door drill size				Usable depth		Certification				Model
			W		H1		H2		D			A		B		C		D					E		F		G		IP 66 IK 10	IP 69K	UL type 1,12,4,4x	EX 3D 3G	
			mm	in.	mm	in.	mm	in.	mm	in.		mm	in.	mm	in.	mm	in.	mm	in.				mm	in.	mm	in.	mm	in.					
EKO H 20 30 15	EH0200300150002	1	200	7.87	300	11.81	422	16.61	155	6.10	7.5	145	5.71	245	9.65	130	5.11"	230	9.06	4	2	1	130	5.12	230	9.06	135	5.31	√	on request	on request	on request	EKO H 20 30 15
EKO H 38 45 21	EH0380450210001	1	380	14.96	450	17.72	604	23.78	210	8.27	12.4	325	12.80	395	15.55	310	12.20"	380	14.96	4	2	2	310	12.20	380	14.96	190	7.48	√	on request	on request	on request	EKO H 38 45 21
EKO H 38 45 30	EH0380450300001	1	380	14.96	450	17.72	656	25.83	300	11.81	17.6	325	12.80	395	15.55	310	12.20"	380	14.96	4	2	2	310	12.20	380	14.96	280	11.02	√	on request	on request	on request	EKO H 38 45 30
EKO H 38 60 21	EH0380600210001	1	380	14.96	600	23.62	754	29.69	210	8.27	20.2	325	12.80	545	21.46	310	12.20"	530	20.87	4	2	2	310	12.20	530	20.87	190	7.48	√	on request	on request	on request	EKO H 38 60 21
EKO H 50 60 21	EH0500600210001	1	500	19.69	600	23.62	754	29.69	210	8.27	21.2	445	17.52	545	21.46	430	16.92"	530	20.87	4	2	2	430	16.93	530	20.87	190	7.48	√	on request	on request	on request	EKO H 50 60 21
EKO H 60 45 30	EH0600450300001	1	600	23.62	450	17.72	656	25.83	300	11.81	24.5	545	21.46	395	15.55	530	20.86"	380	14.96	4	2	2	530	20.87	380	14.96	280	11.02	√	on request	on request	on request	EKO H 60 45 30
EKO H 60 60 21	EH0600600210001	1	600	23.62	600	23.62	754	29.69	210	8.27	26.0	545	21.46	545	21.46	530	20.86"	530	20.87	4	2	2	530	20.87	530	20.87	190	7.48	√	on request	on request	on request	EKO H 60 60 21
EKO H 80 50 30	EH0800500300001	1	800	31.50	500	19.69	706	27.80	300	11.81	39.3	745	29.33	445	17.52	730	28.74"	430	16.93	4	2	2	730	28.74	430	16.93	280	11.02	√	on request	on request	on request	EKO H 80 50 30
EKO H 80 80 30	EH0800800300001	1	800	31.50	800	31.50	1006	39.61	300	11.81	47.1	745	29.33	745	29.33	730	28.74"	730	28.74	4	2	2	730	28.74	730	28.74	280	11.02	√	on request	on request	on request	EKO H 80 80 30
EKO H 80 100 30	EH0801000300001	1	800	31.50	1000	39.37	1206	47.48	300	11.81	56.3	745	29.33	945	37.20	730	28.74"	930	36.61	6	3	3	730	28.74	930	36.61	280	11.02	√	on request	on request	on request	EKO H 80 100 30
EKO H 80 100 35	EH0801000350001	1	800	31.50	1000	39.37	1235	48.62	350	13.78	65.7	745	29.33	945	37.20	730	28.74"	930	36.61	6	3	3	730	28.74	930	36.61	330	12.99	√	on request	on request	on request	EKO H 80 100 35
EKO H 80 120 30	EH0801200300001	1	800	31.50	1200	47.24	1406	55.35	300	11.81	75.4	745	29.33	1145	45.08	730	28.74"	1130	44.49	6	3	3	730	28.74	1130	44.49	280	11.02	√	on request	on request	on request	EKO H 80 120 30
EKO H 80 120 35	EH0801200350001	1	800	31.50	1200	47.24	1435	56.50	350	13.78	88.0	745	29.33	1145	45.08	730	28.74"	1130	44.49	6	3	3	730	28.74	1130	44.49	330	12.99	√	on request	on request	on request	EKO H 80 120 35

* Net weight without packing material