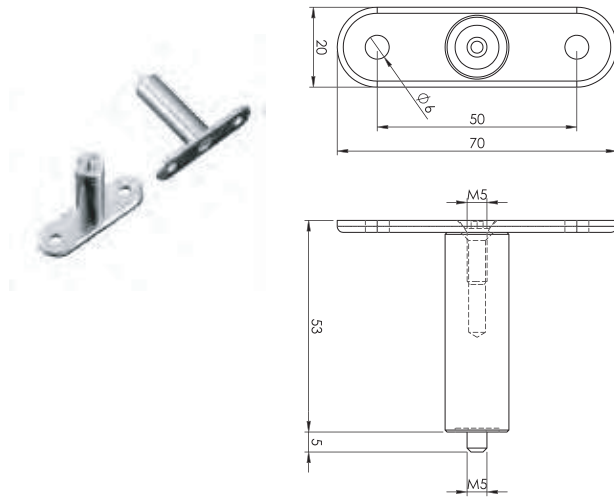


A wide range of accessories is available to complete each standard or bespoke model so that all specific needs are met. Some accessories require special machining and their application may change the IP protection rating or influence on certifications. Please specify them when placing an order/enquiry.

BRACKETS

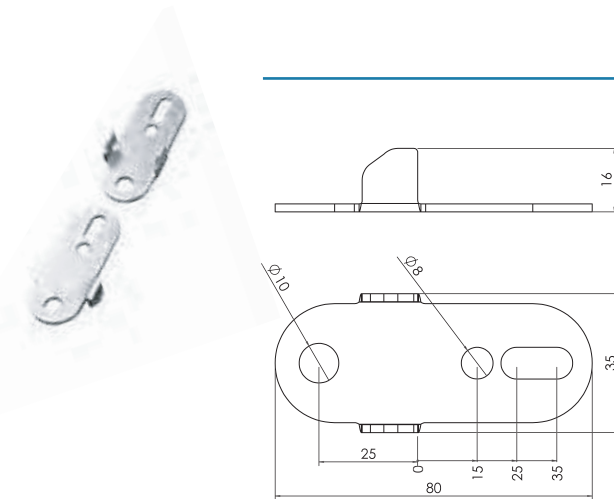
HYGIENIC WALL SPACERS

Code	Description	APH	ADH
Q4SV00023500195	Hygienic spacers in AISI 304 stainless steel (Wnr 1.4301), for M5 screws. Set of 2 Hygienic wall spacers.	•	•



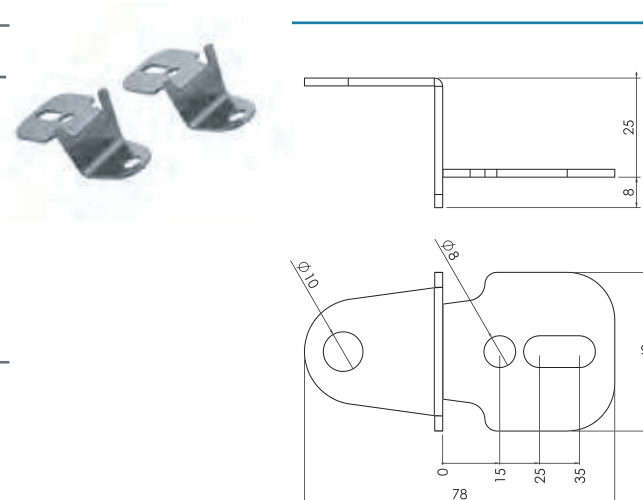
FLAT WALL BRACKETS

Code	Description	APH	ADH
Q4SV00023500009	Brackets in AISI 304 stainless steel (Wnr 1.4301) to be screwed onto the bushings on the back of the enclosure. Complete with fixing screws. Set of 4 flat brackets.	•	•



RAISED WALL BRACKETS

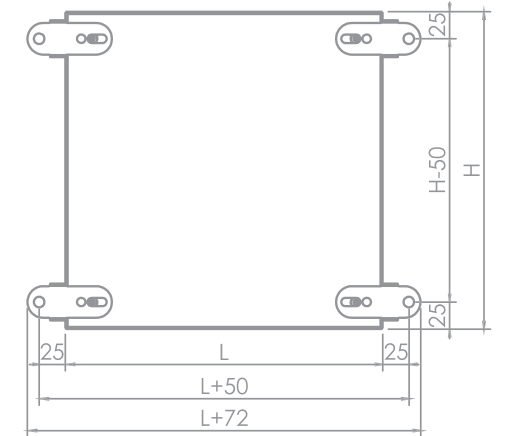
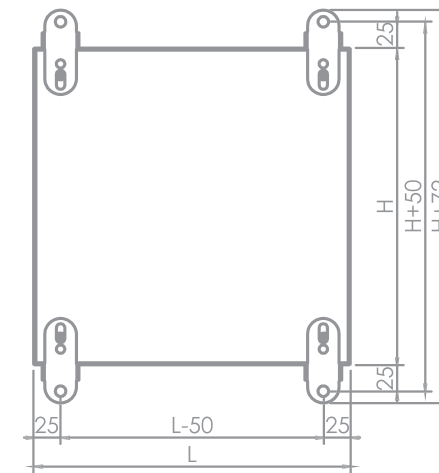
Code	Description	APH	ADH
Q4SV00023500002	Raised wall brackets H=25 mm (0.98") in AISI 304 stainless steel (Wnr 1.4301), to be screwed onto the bushings on the back of the boxes. Complete with fixing screws. Set of 4 raised wall brackets.	•	•



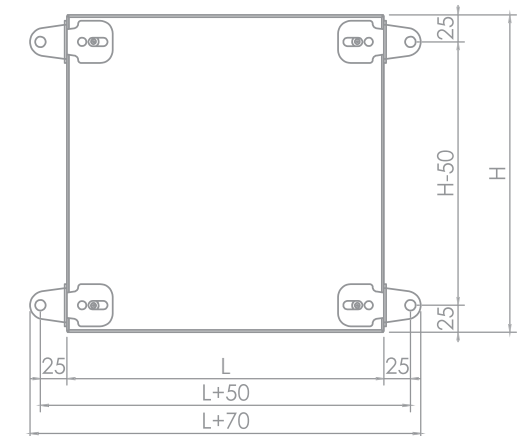
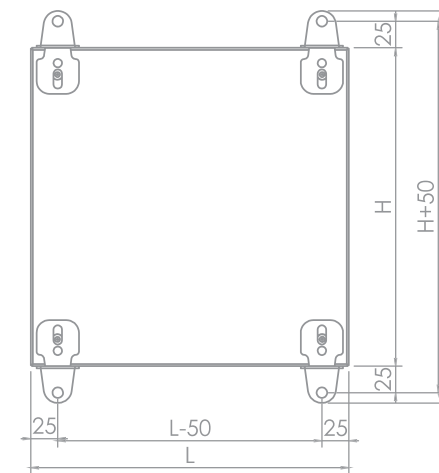
Always specify accessories when placing an order/enquiry.

Application of the brackets to the enclosure

Application of the **FLAT** wall brackets to the enclosure



Application of the **RAISED** wall brackets to the enclosure



Always specify accessories when placing an order/enquiry.